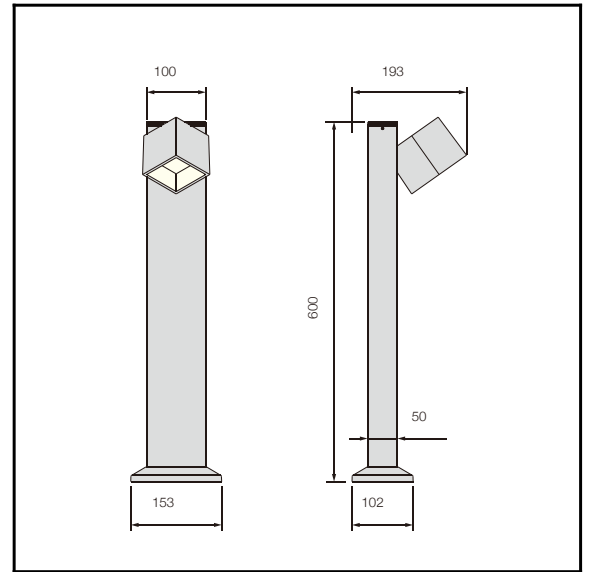




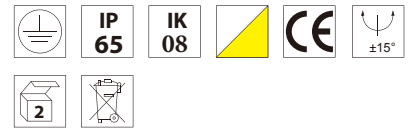
The photograph may not match the reference exactly. Please read the product description to identify the finish.



C-12

TECHNICAL CHARACTERISTICS

Product Model:	C-12	
IP Protection degrees:	IP65	
IK Protection degrees:	IK08	
Light source:	5 x LED CREE	10 x SMD 3030
Total power consumption:	6W	14W
Luminous Flux:	360-420Lm	1100-1260Lm
Luminous efficiency:	60-70Lm/w	80-90Lm/w
Color temperature:	4000K as standard. Optinal 2700K,3000K & 5700K. Amber LED available	
Voltage/Frequency:	100-240V/50-60Hz	
Warranty(Years):	3	
Units per box:	2	
Net Weight(Kg)	4.8	



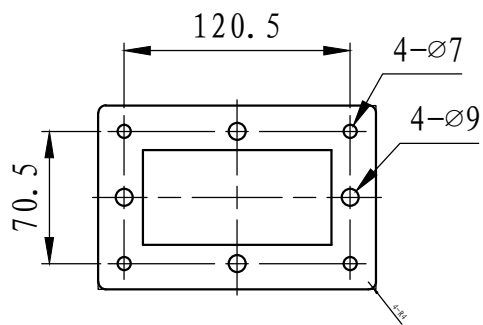
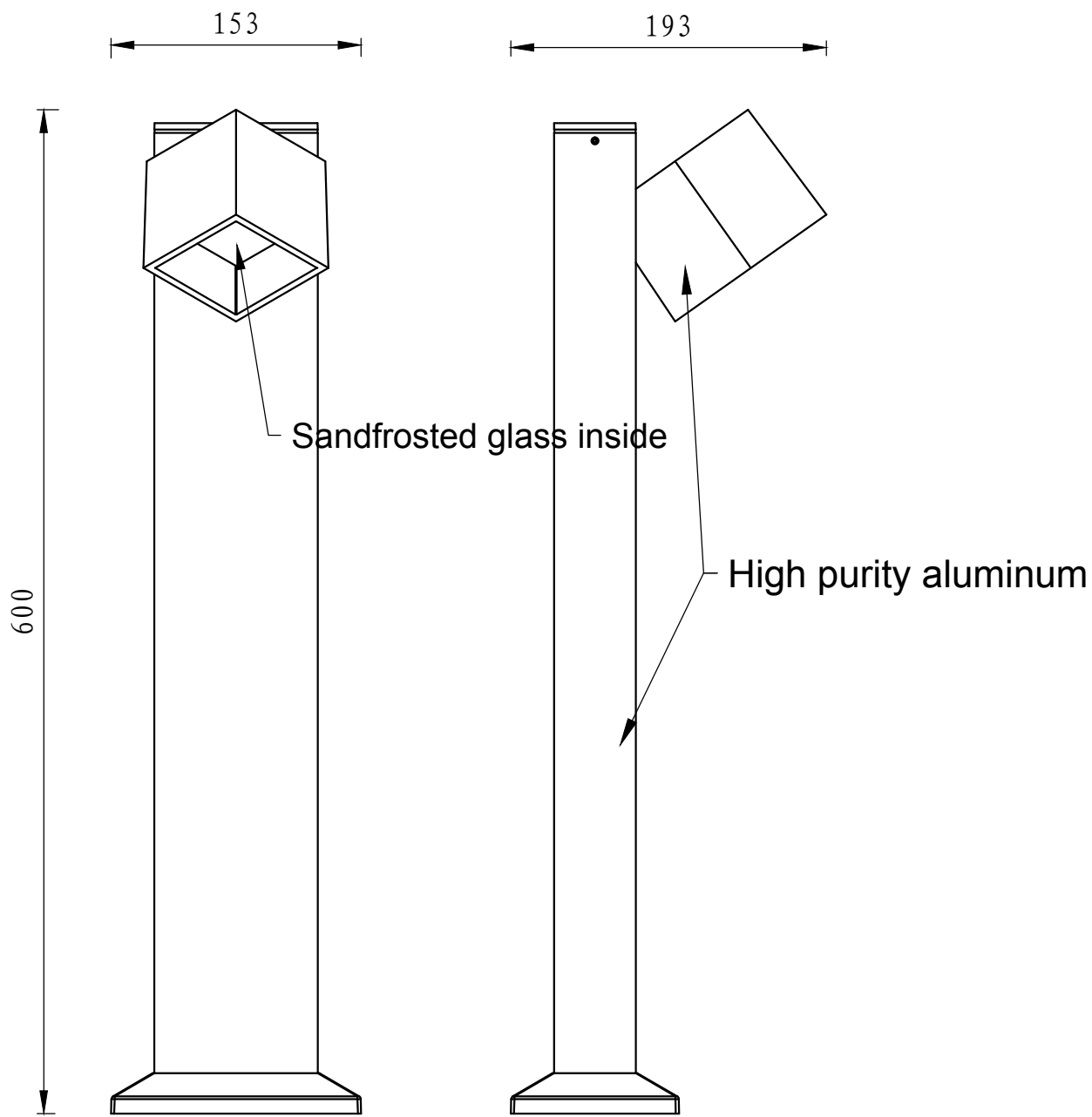
MATERIALS / FINISHES

Structure material: High purity aluminium	aiffuser material: Glass
Structure finish: Black	Diffuser finish: Matt

GEAR

Multi-voltage electronic gear included (110-240 V / 50-60 Hz)

Lm^(N): Nominal flow of light in actual working conditions. Its actual flow will depend on the environmental conditions and the efficiency of the optics and/or diffuser.



Installation template