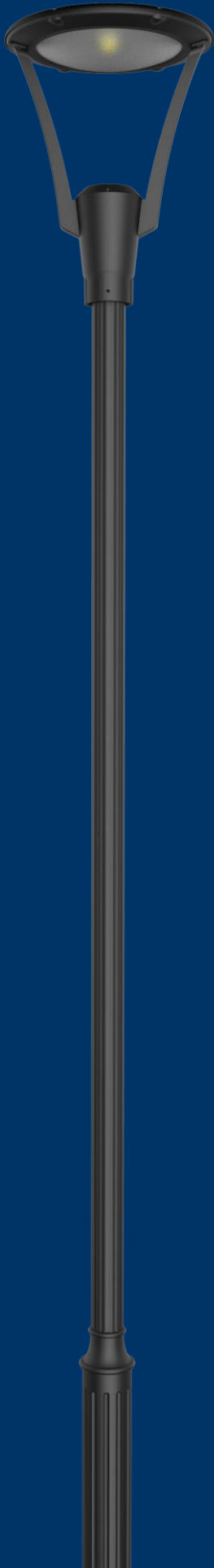


.....YL-035-02



to be
the **BEST**
LED Garden Light

Innovative solutions

Sustainable performance

Innovative solutions

The YL-035-02 was created to help those responsible for lighting our parking and road succeed in their lighting design goals. Powered by the YILIN led garden light, the featuring innovative thermal management design, the YL-035-02 offers exceptional performance and value.

This versatile luminaire can be tailored to the unique specifications of each project by offering multiple LED boards and wattage options.

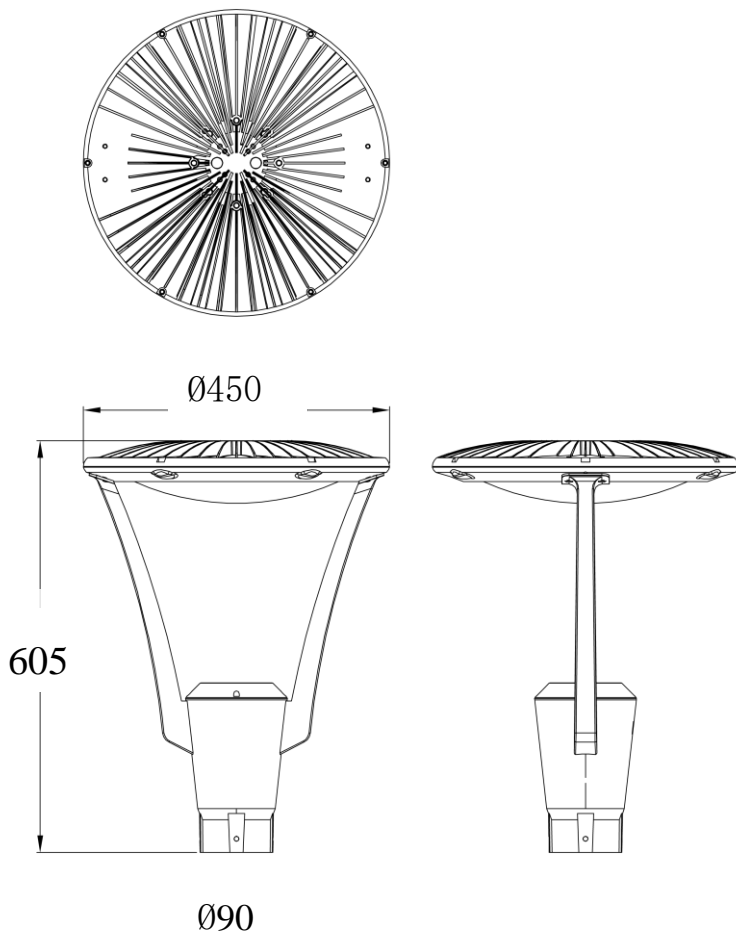
Sustainable performance

Utilizing Meanwell /Moso / LED driver, and BridgeLux LEDs, the YL-035-02 provides exceptional energy efficiency. This luminaire is manufactured with fully recyclable aluminum castings and extrusions that help to protect our environment for years to come. Energy efficiency is enhanced with optional dimming, programmable drivers, and outdoor control systems.



Dimensions

Wattage	Weight		Length		Width		Length	
	lb.	kg.	In.	mm.	In.	mm.	In.	mm.
YL-035-02-30W	17.64	8	1.48	450	1.48	450	1.99	605
YL-035-02-40W	17.64	8	1.48	450	1.48	450	1.99	605
YL-035-02-50W	17.64	8	1.48	450	1.48	450	1.99	605
YL-035-02-60W	17.64	8	1.48	450	1.48	450	1.99	605
YL-035-02-80W	17.64	8	1.48	450	1.48	450	1.99	605



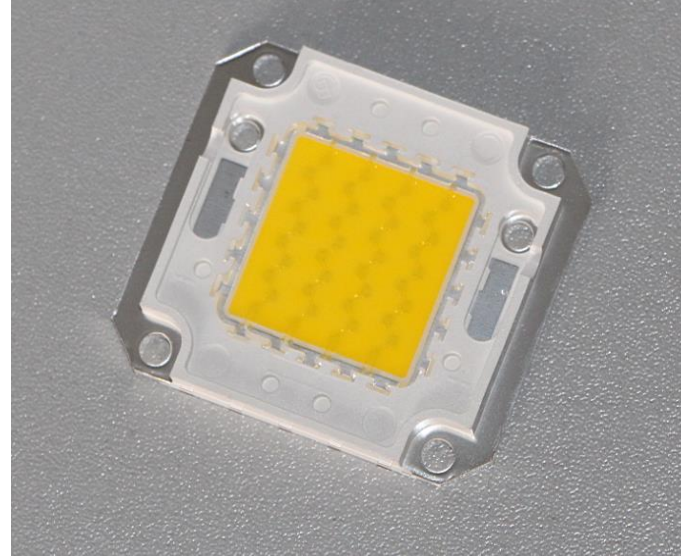
Technical Parameter

Series No.	Wattage	Input Voltage	Color Temperature	Lumen Efficiency	Color of Housing	Mounting Way
YL-035-02	30w 40w 50w 60w 80w	Normal: 100~240V AC North American: 100~277V AC 480V AC Solar System: 12V DC 24V DC	Cool White: 5000K Day White: 4000K Warm White: 3000K Customized CCT	Normal bright: 130-140 lm/w (chips) Super bright: 155 lm/w (chips) @ CRI ≥ 65-70	Normal : Black Customized color (MOQ ≥ 50 PCS)	Horizontal mounting with 0°

Electronics

Item No.	Number of LEDs	Lamp Wattage	System Wattage	Max. System Current	LED Current
YL-035-02-30w	30pieces	30w	31w	0.13~0.31	0.125~0.3
YL-035-02-40w	40pieces	40w	42w	0.175~0.42	0.167~0.4
YL-035-02-50w	50pieces	50w	53w	0.22~0.53	0.25~0.5
YL-035-02-60w	50pieces	60w	63w	0.26~0.63	0.21~0.6
YL-035-02-80w	80pieces	80w	83w	0.33~0.83	0.33~0.8

Integrated COB Chips



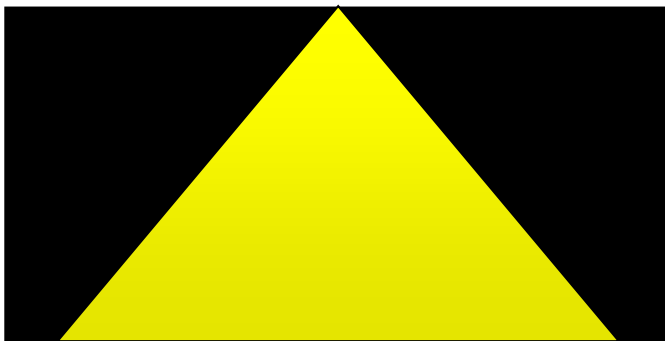
COB Package Technology

- Use BridgeLux high efficiency chips
- Use Silver plated Copper base, thermal resistance is small
- More safe circuit design: Cross and string pattern, chips connected by gold wire
- Patented Formula----fluorescent powder & potting adhesive Better CRI, Higher Luminous Efficiency, Lower Lumens Depreciation
- Use best encapsulation equipment-- (ASM)

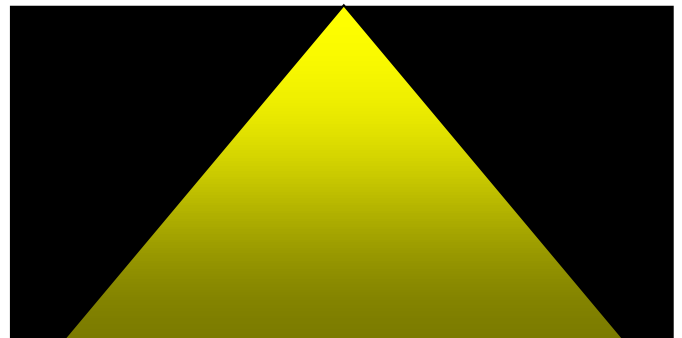


COB Advantage

- High power chips, low driver current
lumen maintenance rate --high
- Cross and string pattern, chips connected by gold wire chips not easy broken
- Use best encapsulation equipment
Good product stability
- The penetration light of COB is strong.
Especially the rain and snow day, fog, dust days
- Patented Formula Technology . CCT easy control quality consistency



The penetration light of Transformer II is strong.



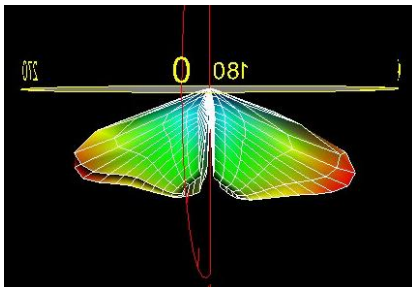
It's bright around the competitor's lamp, but it's dark on the ground.

Photo-metric Parameter

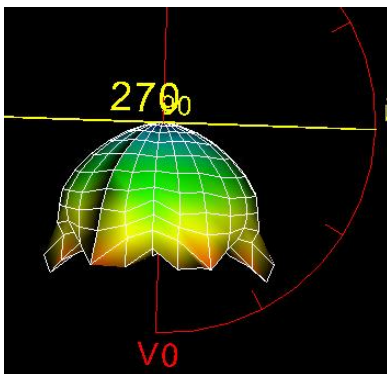


Optical Glass Lens

- High-crystalline optical level glass lens
- High light transmittance
- Without aging, non-yellowing, non-shattering glass
- Good heat resistance, will no absorb dust



Type II (with len)



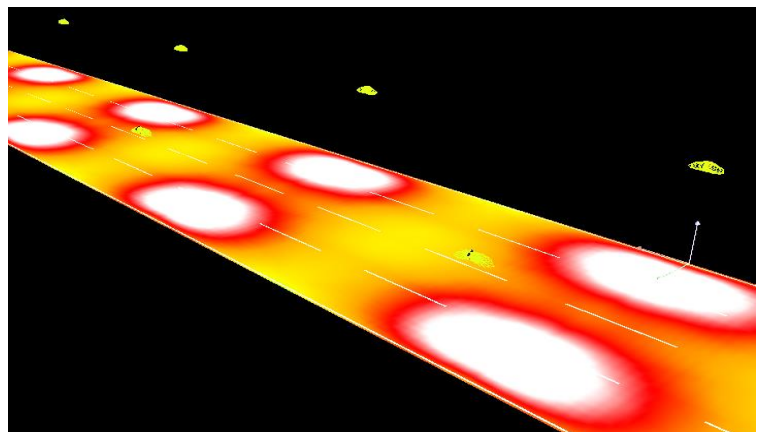
Type V (without len)

Great photo-metric performance

- every generation Lens shall be designed strictly, preferred the light distribution
- beam angle can be $120^{\circ}\sim 135^{\circ}$, high uniformity
- full consideration of glare and light environment factor

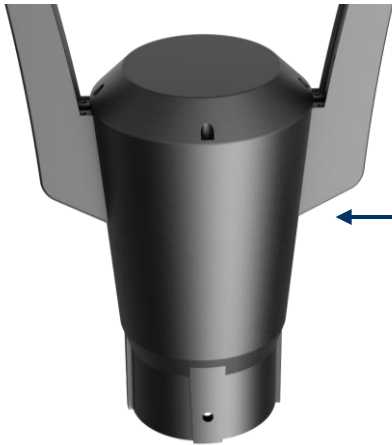
Simulation Report

Power	50w
Width of road (W)	7m
Pole Distance (S)	20m
Mounting Height (H)	6m
Arrangement	Double row symmetry
Overhand Angle	0°
Light Loss Factor	0.88
Average Illumination	15 lux
E _{max}	28 lux
E _{min}	9.71 lux
E _{min} /E _{av}	0.350



Thermal Management

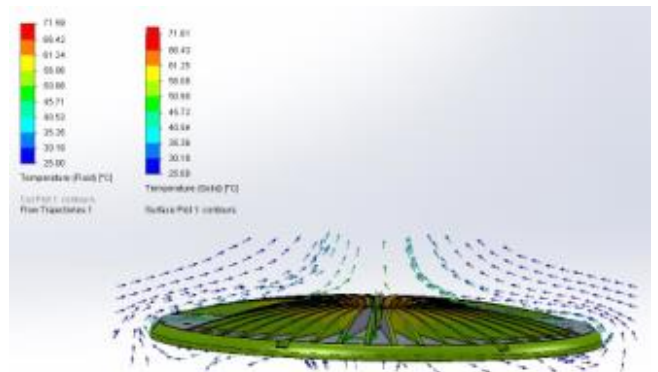
One pulled alloy radiator light shell has a self-cleaning ability, and light weight, fashionable ,good cooling effect.



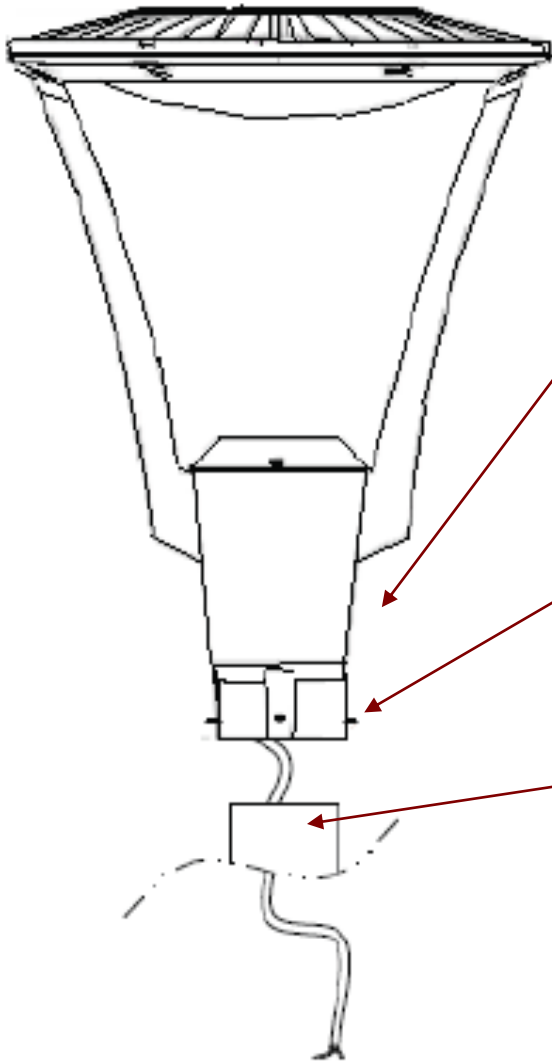
The lamps and supply are connected by CRT3 connector, easy for maintenance



Modular design
Each LED module is independent.
Good quality aluminum is more thermally conductive.



Maintenance



Tighten up the screw till the lamp can't move, the torque is 40N.m-50N.m.

Connecting two wires together, one wire is inside bracket and another one is from the pole. (IP65 wire in the pole need to prepare by customers)

Put the pole inside the lamp till the pole can't move.

Warning: When flexible wire is broken, please cut off the power immediately, avoid short circuit. When the outer insulation cable is broken, it should be changed by manufacture, supplier or professional electrician, lest danger occurs!