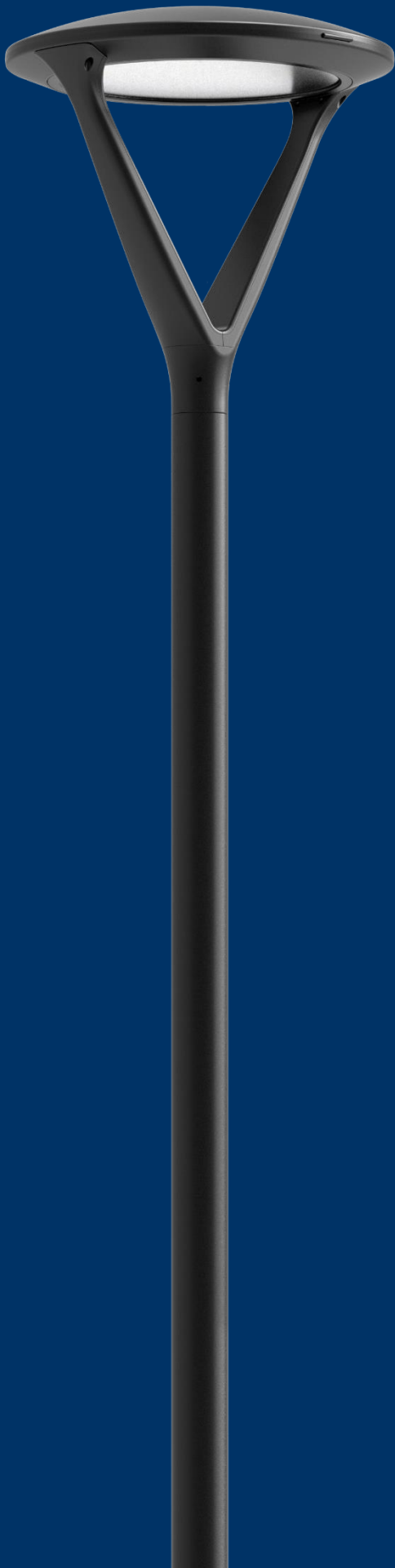


.....YL-053



to be
the **BEST**
LED Garden Light

Innovative solutions

Sustainable performance

Innovative solutions

The YL-053 was created to help those responsible for lighting our parking and road succeed in their lighting design goals. Powered by the YILIN led garden light, the featuring innovative thermal management design, the YL-053 offers exceptional performance and value.

This versatile luminaire can be tailored to the unique specifications of each project by offering multiple LED boards and wattage options.

Sustainable performance

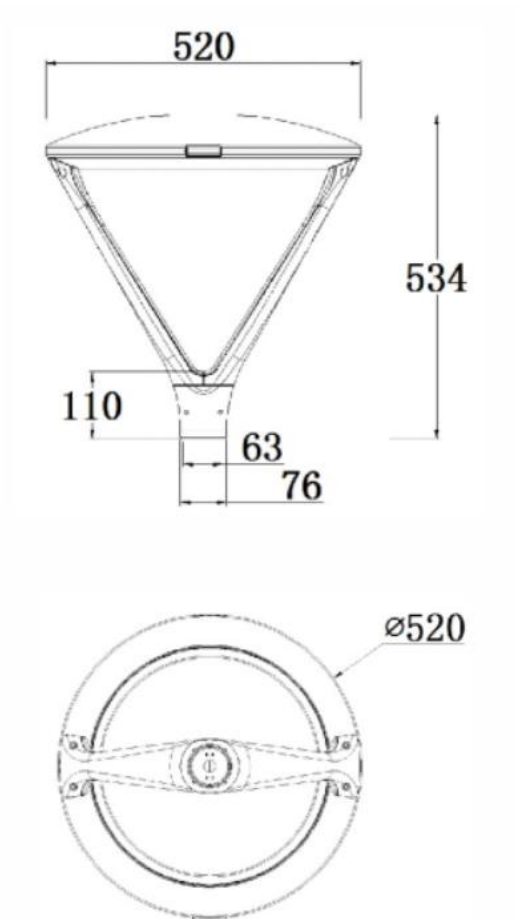
Utilizing Meanwell /Moso / LED driver, and Philips LEDs, the YL-053 provides exceptional energy efficiency.

This luminaire is manufactured with fully recyclable aluminum castings and extrusions that help to protect our environment for years to come. Energy efficiency is enhanced with optional dimming, programmable drivers, and outdoor control systems.



Dimensions

Wattage	Weight		Length		Width		Length	
	lb.	kg.	In.	mm.	In.	mm.	In.	mm.
YL-053-30W	20.9	9.5	1.7	520	1.7	520	1.76	534
YL-053-40W	20.9	9.5	1.7	520	1.7	520	1.76	534
YL-053-50W	20.9	9.5	1.7	520	1.7	520	1.76	534
YL-053-60W	20.9	9.5	1.7	520	1.7	520	1.76	534
YL-053-80W	20.9	9.5	1.7	520	1.7	520	1.76	534
YL-053-100W	20.9	9.5	1.7	520	1.7	520	1.76	534



Technical Parameter

Series No.	Wattage	Input Voltage	Color Temperature	Lumen Efficiency	Color of Housing	Mounting Way
YL-053	30w 40w 50w 60w 80w 100w	Normal: 100~240V AC North American: 100~277V AC 480V AC Solar System: 12V DC 24V DC	Cool White: 5000K Day White: 4000K Warm White: 3000K Customized CCT	Normal bright: 150-160 lm/w (chips) @ CRI ≥ 70	Normal : Black Customized color (MOQ ≥ 50 PCS)	Horizontal mounting with 0°

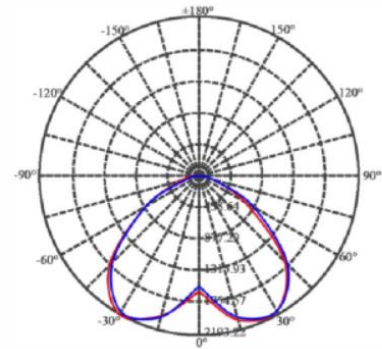
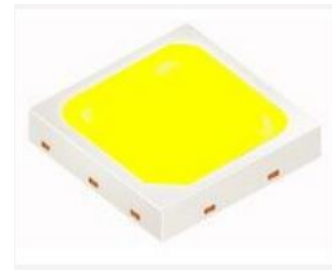
Electronics

Item No.	Number of LEDs	Lamp Wattage	System Wattage	Max. System Current	LED Current
YL-053-30w	32pieces	30w	31w		
YL-053-40w	56pieces	40w	42w		
YL-053-50w	56pieces	50w	53w		
YL-053-60w	56pieces	60w	63w		
YL-053-80w	88pieces	80w	83w		
YL-053-100w	104pieces	100w	103w		

SMD 3030 Chips

Technology

- Use philips 3030 high efficiency chips
- Use Silver plated Copper base, thermal resistance is small
- More safe circuit design
- Patented Formula----fluorescent powder & potting adhesive
Better CRI, Higher Luminous Efficiency, Lower Lumens
Depreciation
- Use best encapsulation equipment

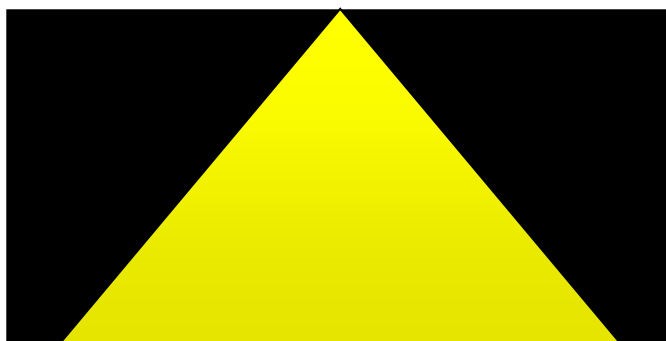


HB-053

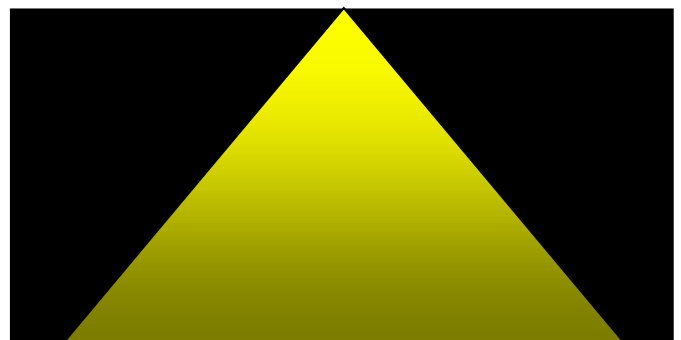


3030 Advantage

- High power chips, low driver current
lumen maintenance rate --high
- Use best encapsulation equipment
Good product stability
- The penetration light of 30 is strong.
Especially the rain and snow day, fog, dust
days
- Patented Formula Technology. CCT easy
control quality consistency



The penetration light of HB-053 is strong.



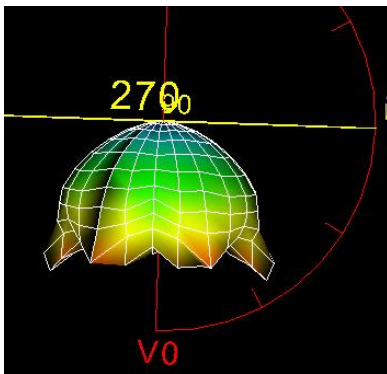
It's bright around the competitor's lamp, but it's dark on the ground.

Photo-metric Parameter

Optical Glass Lens

- High-crystalline optical level glass lens
- High light transmittance
- Without aging, non-yellowing, non-shattering glass
- Good heat resistance, will not absorb dust

Type II (with lens)



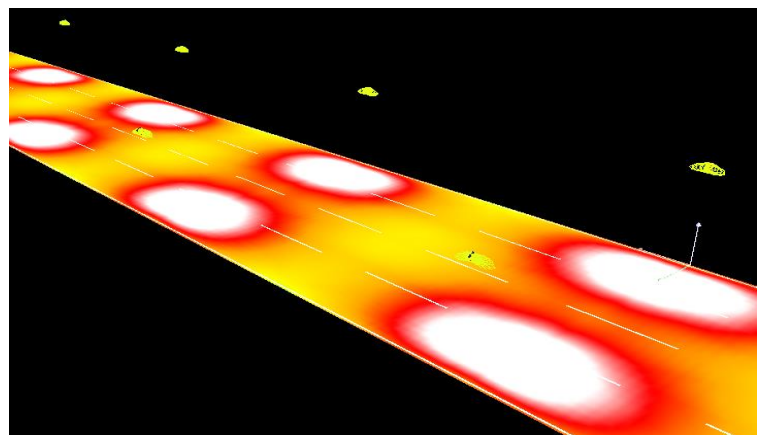
Type V (without lens)

Great photo-metric performance

- every generation Lens shall be designed strictly, preferred the light distribution
- beam angle can be 90°, high uniformity, to prevent glare
- full consideration of glare and light environment factor

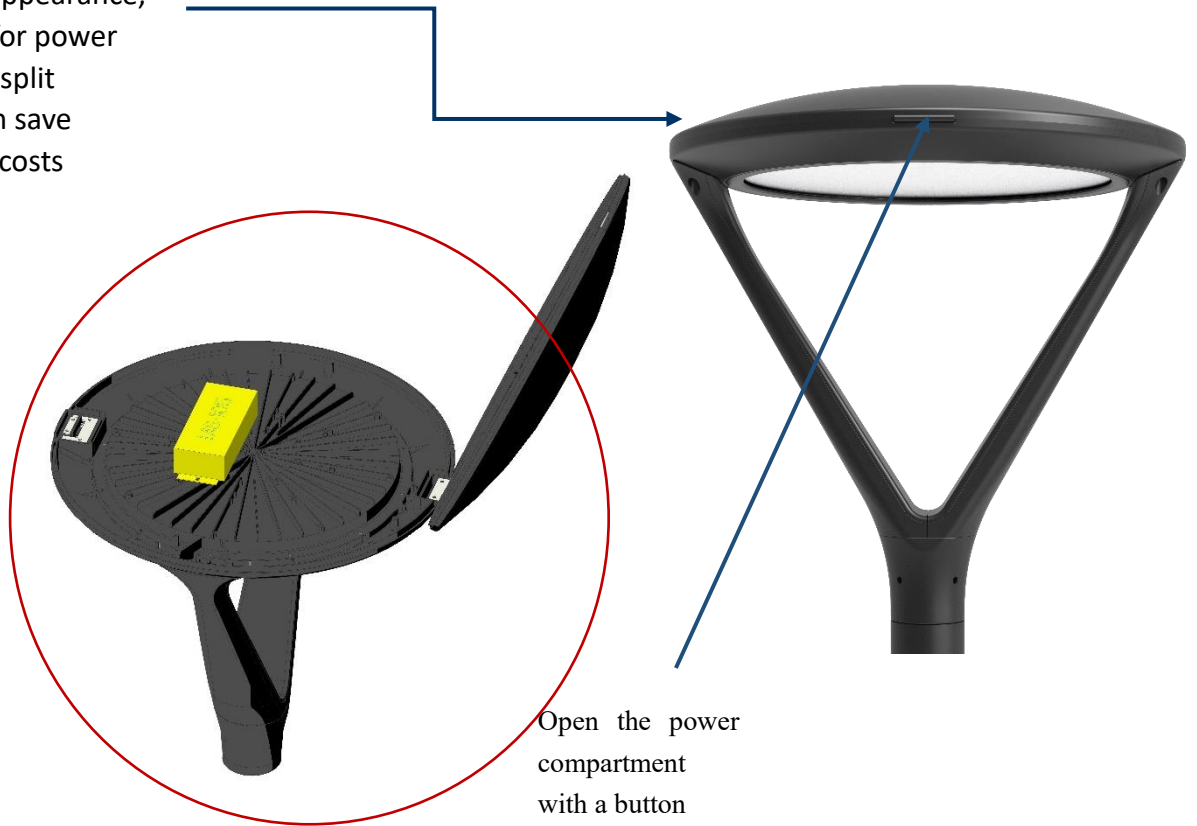
Simulation Report

Power	50w
Width of road (W)	7m
Pole Distance (S)	20m
Mounting Height (H)	6m
Arrangement	Double row symmetry
Overhand Angle	0°
Light Loss Factor	0.88
Average Illumination	15 lux
E _{max}	28 lux
E _{min}	9.71 lux
E _{min} /E _{av}	0.350



Thermal Management

Built-in radiator structure, more smooth appearance, enough space for power supply, easy to split installation, can save transportation costs

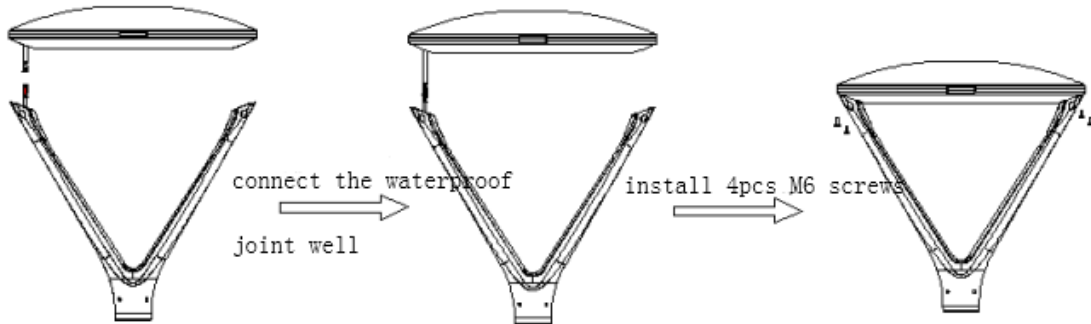


Ground glass design, place dazzling light, make the overall environmental effect more harmonious, comfortable.

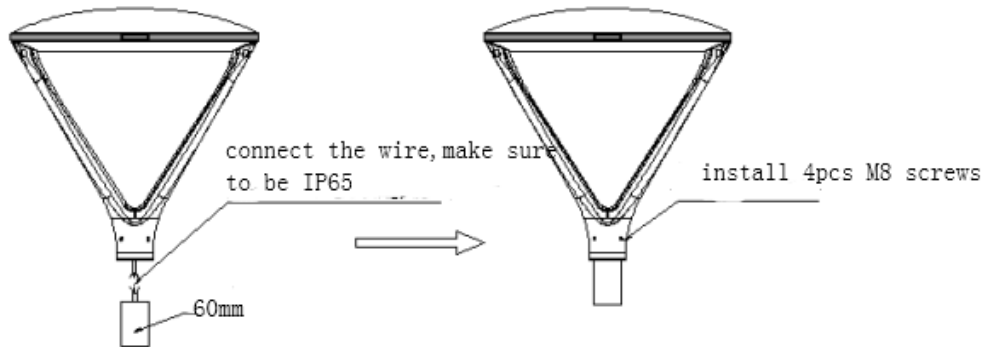


Maintenance

Step 1: Bulk paking



Step 2:



⚠ Warning: When flexible wire is broken, please cut off the power immediately, avoid short circuit. When the outer insulation cable is broken, it should be changed by manufacture, supplier or professional electrician, lest danger occurs!