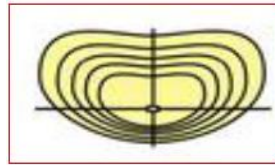


description		
1	Model:	YR-TP325-W100-X-Yn-Zn
2	Certification:	ETL & DLC approval
3	Input voltage:	AC100-277V/AC180-480V
4	Input frequency:	50/60HZ
5	Consumed power:	100W ±8W
6	Power factor:	>0.9
7	Light source:	Lumileds 3030 LED ones
8	Luminous flux:	11500-12500 lm
9	Light efficacy:	115-125lm/W
10	Color temperture:	3000-7000K
11	Color rendering index:	Ra:70-80
12	LED angle:	Type III/Type V for light distribution lens
13	Shape:	Square
14	Material:	aluminium alloy
15	Cover color:	Black/Grown
16	Dimension:	352*300*437mm
17	Net weight:	7.2kg/PC
18	Working temperture:	minus 45 to plus 45
19	Lifespan:	>50000hours
20	Installation instruction	



TYPE III
medium

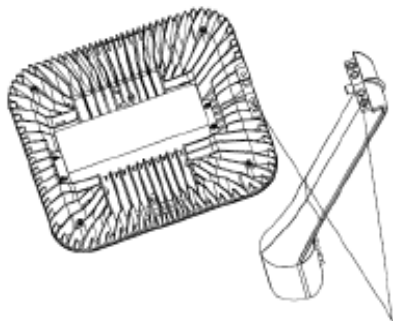


TYPE V

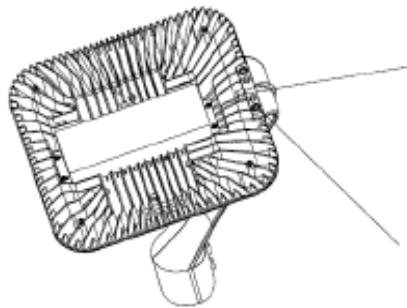
Packing	
1 piece in one inner box Size: 57*32*39CM/ctn; 2pcs/ctn GW/NW:15.6kg/14.4kg	

Outdoor	Outdoor flood lighting,architecture decorated lighting,industrial lighting,physical training centre and outdoor stadium lighting,port,dock etc.Having light distribution system,can be used in street lighting also.
---------	--

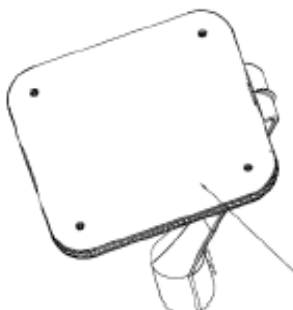
1



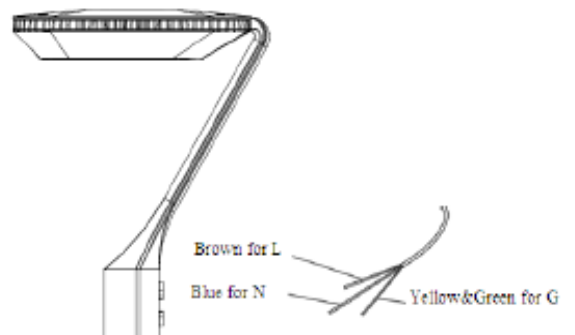
2



3



4



- ① Assemble the lamp body/heat sinker into the mounting bracket.
Make the driver fixed and the holes correctly aligned .
- ② Connect wires and tighten the screws so that the lamp body fixed stably.
- ③ Put the fixture cover onto the lamp body/heat sinker and use M5 screws to fix the cover.
- ④ Connect the wire correctly L/N/G.