



UFO HIGH BAY LIGHT

H5

Certification or qualification



Note: Not all of the products indicated in this specification are DLC premium qualified, please refer to <https://www.designlights.org/searcher> for more details.

Introduction:

UFO LED high-bay light is a device which are consist of die-cast aluminum alloy heat-sink, PC optical lens, LED light source model and diver. It can be a replacement of HID and other traditional light fixture, provided with higher efficacy, a longer lifetime 50,000H at least or even more up to 100,000H but very lower breakdown opportunity, higher reliability and better cost than before, lower output voltage 60Vdc means safety for use. It provides different light distribution angle by optical lens without reflector.

Product Features

- ⦿ UFO High bay light series can be widely used in Industry.Large commercial facilities.Public.Logistics Center.
- ⦿ Input voltage:100-277Vac and 277-480Vac
- ⦿ 6-10KV surge protection grade
- ⦿ PF>90% and THD<20% at full load
- ⦿ Free of flickering
- ⦿ CCT: 2700K~6500K
- ⦿ CRI:80,and R9≥0
- ⦿ Efficacy:140Lm/W
- ⦿ Dimmable function with 3 in 1 (0/1-10V,resistance and PWM)
- ⦿ Motion sensor for optional
- ⦿ PC lens with beam angle 120 degree
- ⦿ UGR<25
- ⦿ Steel ring , U-bracket and E40 installation
- ⦿ Finishing: black, white, brown and customization
- ⦿ IK10,IP 65 and suitable for wet location
- ⦿ Working temperature:-30 to 50℃
- ⦿ 5 years warranty

Technical Parameters

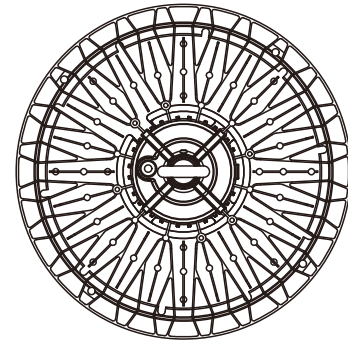
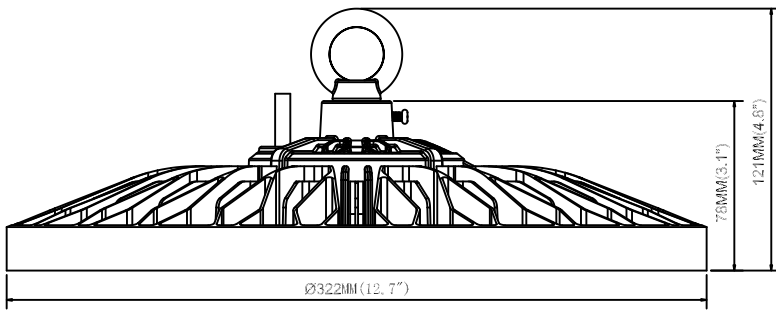
Model	Power	Input Voltage (V)	Luminous (Lumen)	Efficacy (LM/W)	Typical CCT (K)	CRI	Beam Angle	LED Chip	PF	IP	Dimension
HG-HL05-100WB CD-EFGH-IJKLM	100W	AC 100-277 AC 277-480	14,000	140	5000 4000	80	60/90/120°	3030 2835	>0.95	IP65	φ 322*121
HG-HL05-150WB CD-EFGH-IJKLM	150W	AC100-277V AC200-480V	21,000	140	5000 4000	80	60/90/120°	3030 2835	>0.95	IP65	φ 322*121
HG-HL05-200WB CD-EFGH-IJKLM	200W	AC100-277V AC200-480V	28,000	140	5000 4000	80	60/90/120°	3030 2835	>0.95	IP65	φ 322*121

Ordering Information

HG-HL05-ABCD-EFGH-IJKLM For example:HG-HL05-100WL1D-50K8033-SBKUM

A	B	C	D	E	F	G	H	I	J	K	L	M
Rated power	Input voltage	Driver brand	Dimming	CCT	CRI	LED CHIP	Beam Angle	Dimension	Color	Installation	Lens	Sensor
100W-100W	L-100~277V	Blank-ZH	Blank-No dimmable	30K-3000K	80-Ra80	1-99	1-60°	S-Small size	BK-Black	Blank-Ring	Blank-PC	Blank-No sensor
200W-200W	H-277~480V	1-SS	D-Dimmable	40K-4000K	90-Ra90		2-90°	L-Large size	BR-Brown	U-U-bracket	G-Glass	M-Motion sensor
060W-60W		2-WP		50K-5000K			3-120°		WH-White	E-E40		
		3-MOSO										
		4-MW										
		5-Fahlod										

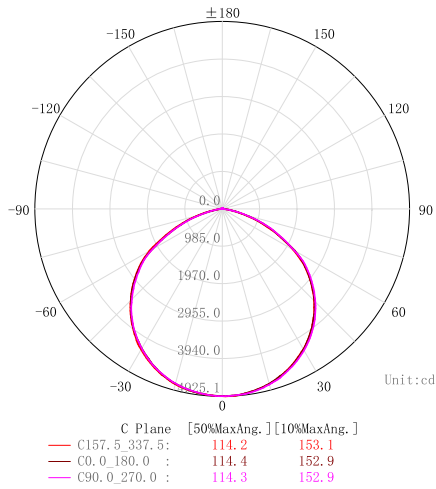
Dimension:mm(in)



100W-200W

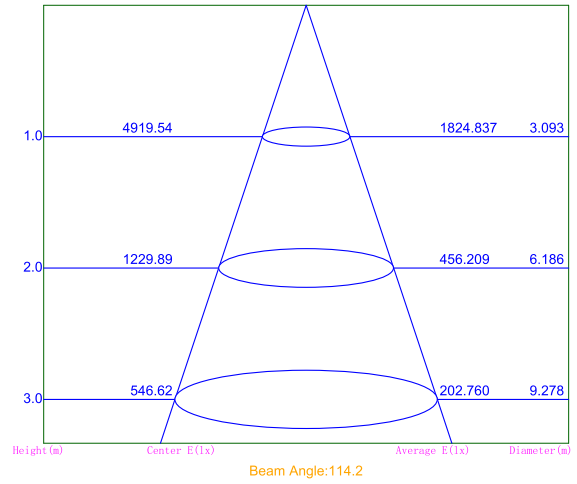
Photometry

Light distribution curve drawing

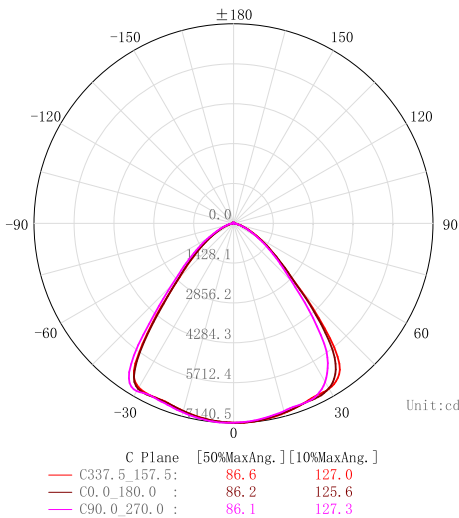


Note: Light distribution curve drawing for 100W-120°

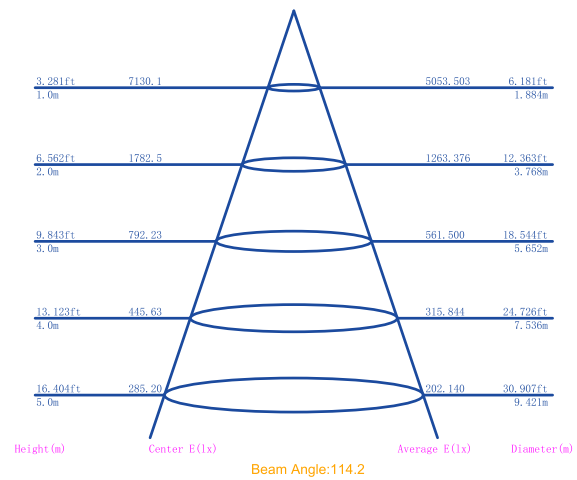
Illumination Distribution Drawing



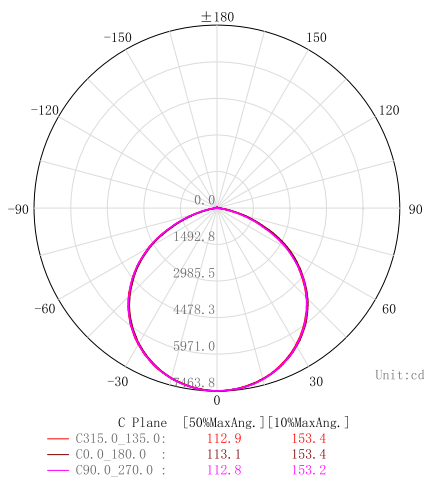
Note: Illumination distribution drawing for 100W-120°



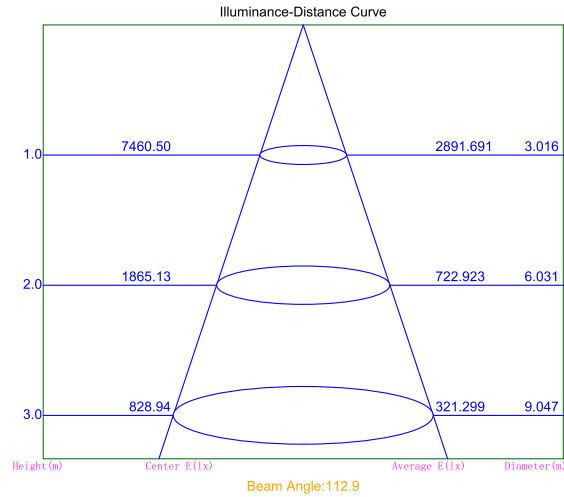
Note: Light distribution curve drawing for 100W-90°



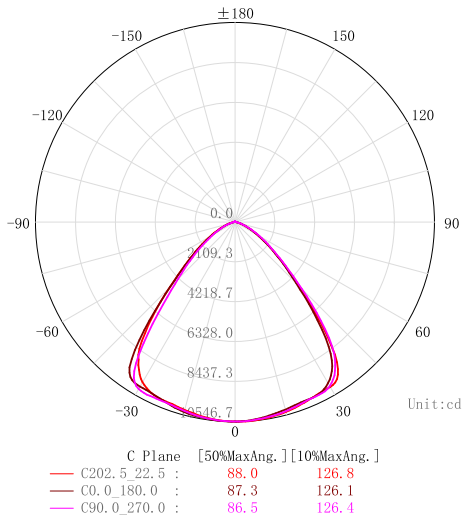
Note: Illumination distribution drawing for 100W-90°



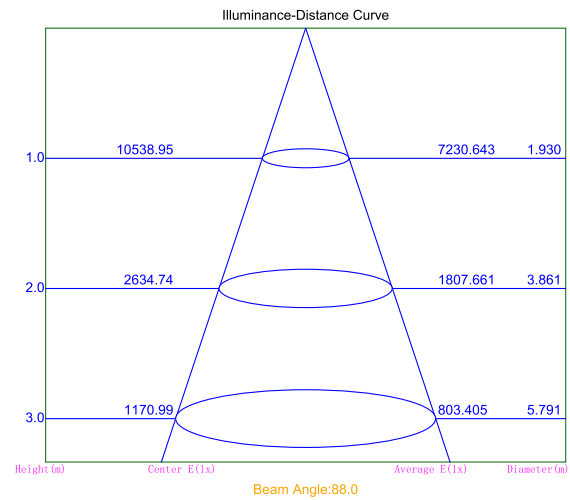
Note: Light distribution curve drawing for 150W-120°



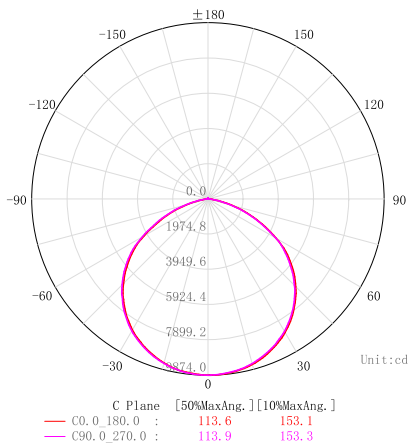
Note: Illumination distribution drawing for 150W-120°



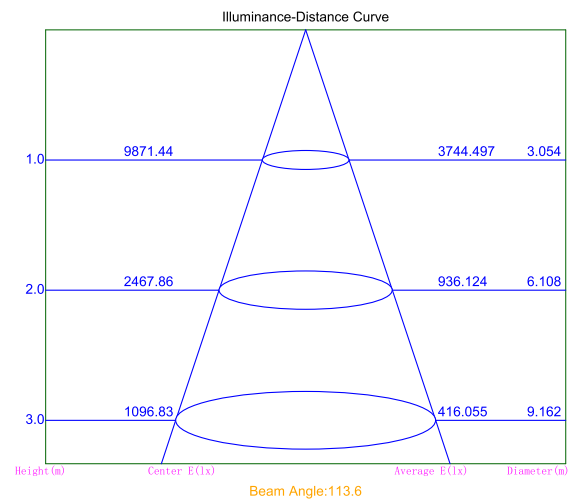
Note: Light distribution curve drawing for 150W-90°



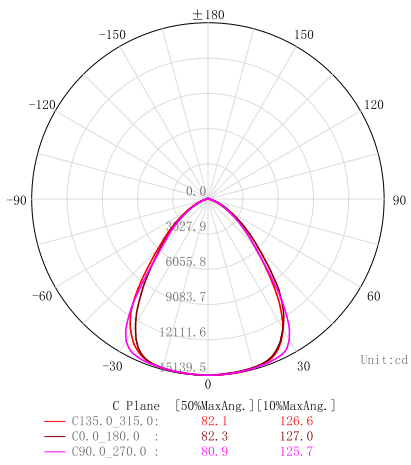
Note: Illumination distribution drawing for 150W-90°



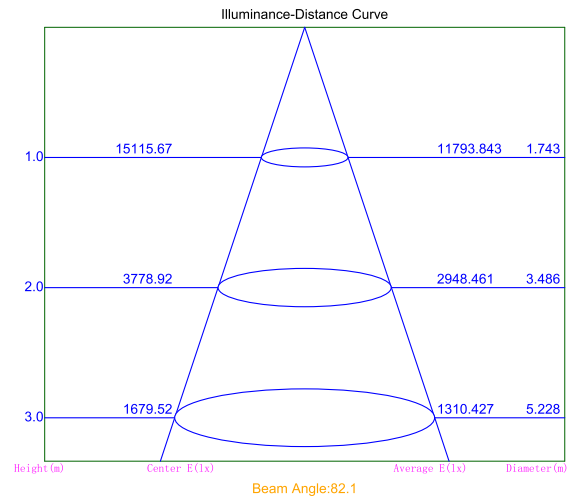
Note: Light distribution curve drawing for 200W-120°



Note: Illumination distribution drawing for 200W-120°

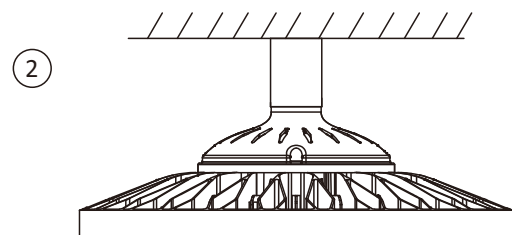
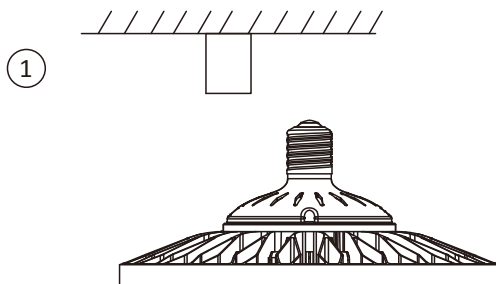
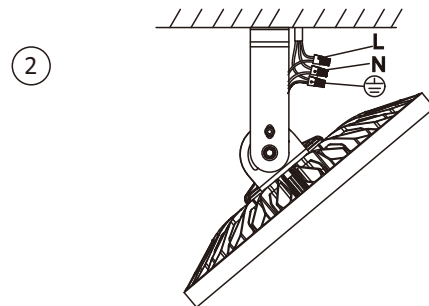
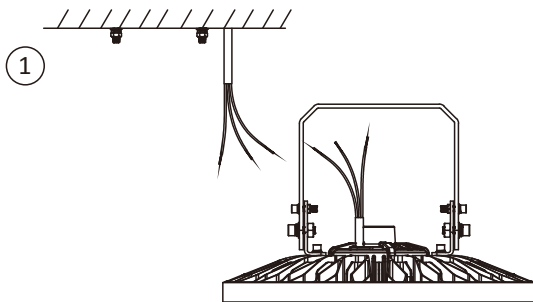
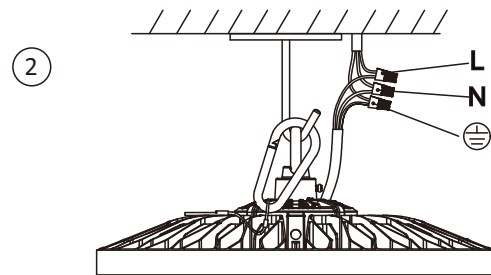
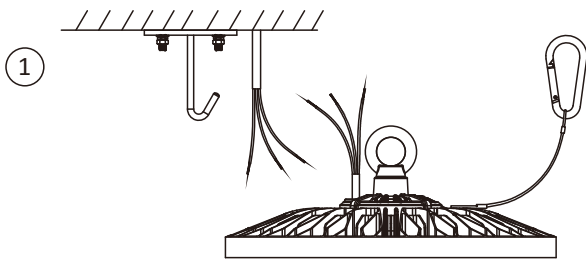


Note: Light distribution curve drawing for 200W-90°



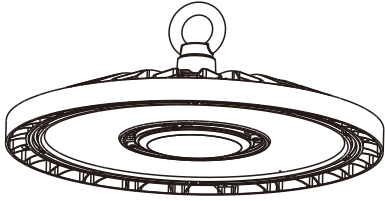
Note: Illumination distribution drawing for 200W-90°

The installation diagram:

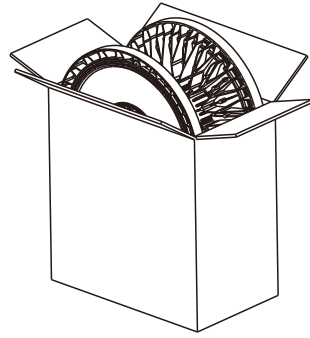


Packing:

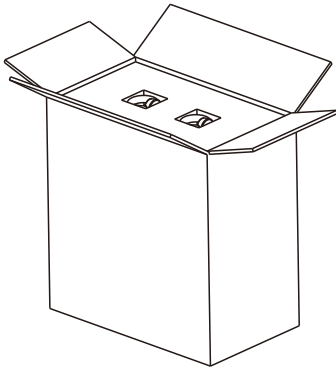
①



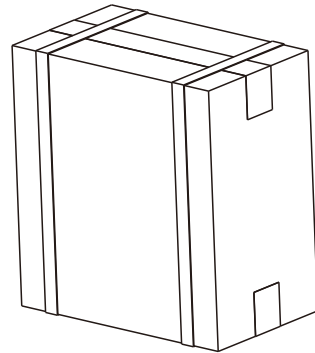
②



③



④



Parameters:

Model	N.W.	Inner Box Dimension	G.W.	Qty/ctn	Outer Carton Dimension
HG-HL05-100WBCD-EFGH-IJKLM	2.5 Kg	-	5.5 Kg	2 PCS	332*200*355 mm
HG-HL05-150WBCD-EFGH-IJKLM	2.5 Kg	-	5.5 Kg	2 PCS	332*200*355 mm
HG-HL05-200WBCD-EFGH-IJKLM	2.5 Kg	-	5.5 Kg	2 PCS	332*200*355 mm