

LN Lighting technical data

LED LAMP 100W HIGH BAY LIGHT

Lighting technical data

LED 100W HIGH BAY LIGHT is an alternative light source with longer life and uniformed light distribution



RoHS

IP65



LED HIGH BAY LIGHT



Line-Up

Model No.	Watts(W)	Light Output(lm)	Dimension(mm)	Light Color(K)	Beam Angle(Degree)
LN-UF0100-U-N-QW-B-U-C-CB00	100±10%	13000-10%	Ø280 *H132	5000K	120

Technical Specifications

Item	Test Conditions	Min.	Typ.	Max.
Input Voltage(V, rms)	AC	120	220	277
Input Current(mA, rms)	AC(220V)	---	455	---
Input Power(W, rms)	AC(All)	100	100	100
Input Frequency(Hz)	AC	---	50Hz/60Hz	---
Power Factor(PF)	AC(All)	≥0.9		
Output Voltage(V)	DC	61	63	64
Output Current(A)	DC	1.40	1.45	1.50
Output Power(W)	DC	85.4	91.35	96

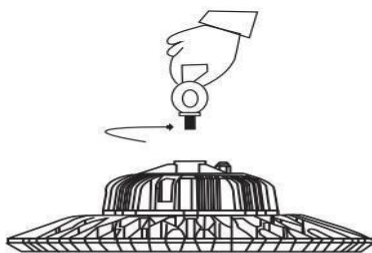
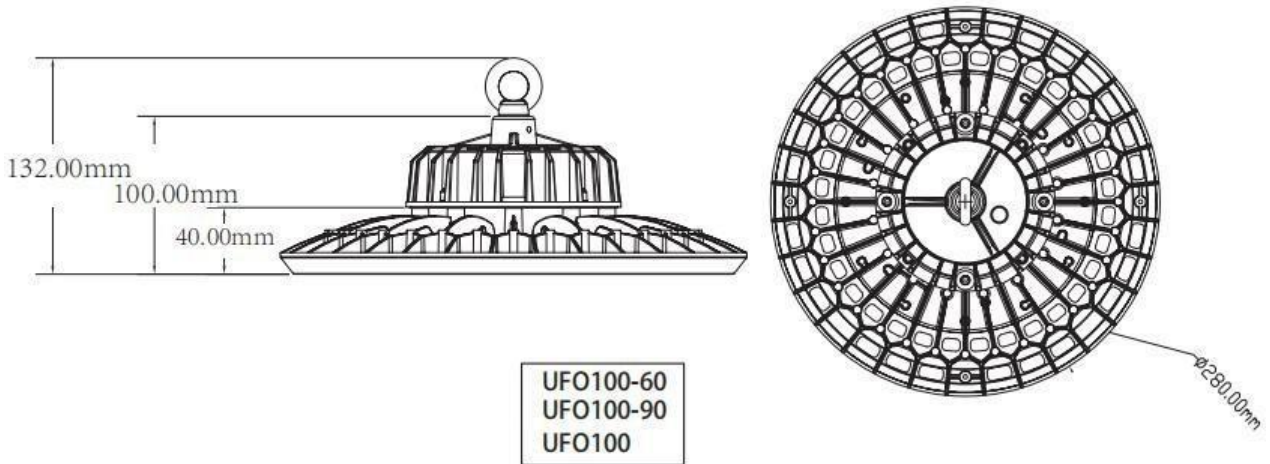
Environmental Requirements

Specifications	Values
Operational Temperature Range	-40~40℃
Preservation Temperature Range	-40~90℃
Operational Humidity Range	95%Rh or below (@-40~40℃)
Installation Area	Indoor (Counter,Residential,Commercial,etc)

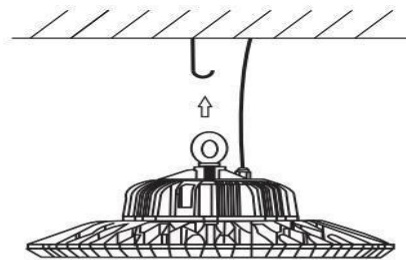
LED HIGH BAY LIGHT



Drawing



Step1
Turn the ring clockwise into the power supply



Step2
First, according to the graphic lamp hanging hook above, and then connect the power first

Material	IP
radiator: ADC12	65
lens: PC	

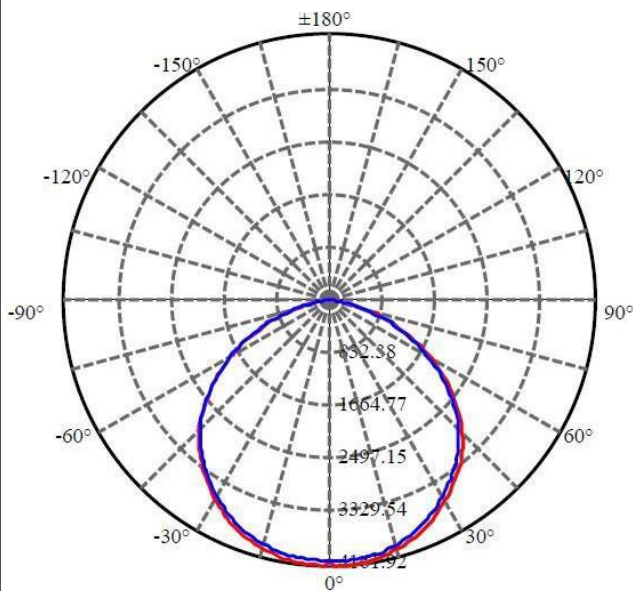
LED HIGH BAY LIGHT



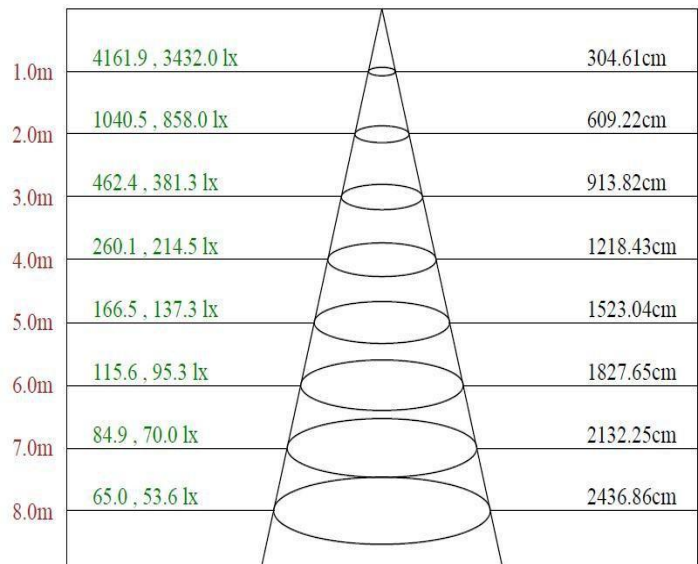
LN-UFO100-U-N-QW-B-U-C-CB00

Category	Specifications	Unit
Watts	100	W
Lumens per Watt(Efficacy)	130	Lm/W
Light Output	13000	lm
Light Color(CCT)	5000	K
Beam Angle	120	°(degree)
Color Accuracy(CRI)	70	Ra
Product Weight	1.8	KG
Rating Life	50000	H
Base	Line interface	
Input Voltage(AC)	220	V

Luminance Intensity Distribution



Cone Lux Diagram



Max , Ave Beam angle of C0plane113.41

LED HIGH BAY LIGHT



Product Packaging	Specifications	Unit
Product Dimension	Ø280 *H132	mm
Net Weigh	1.8	Kg
Size of box	330*330*160	mm
Qty/ Carton	1	PCS
Gross Weight	2.3	Kg

Revision History				
Time	Changed to: VER	Description of Change		
		Item	From	To