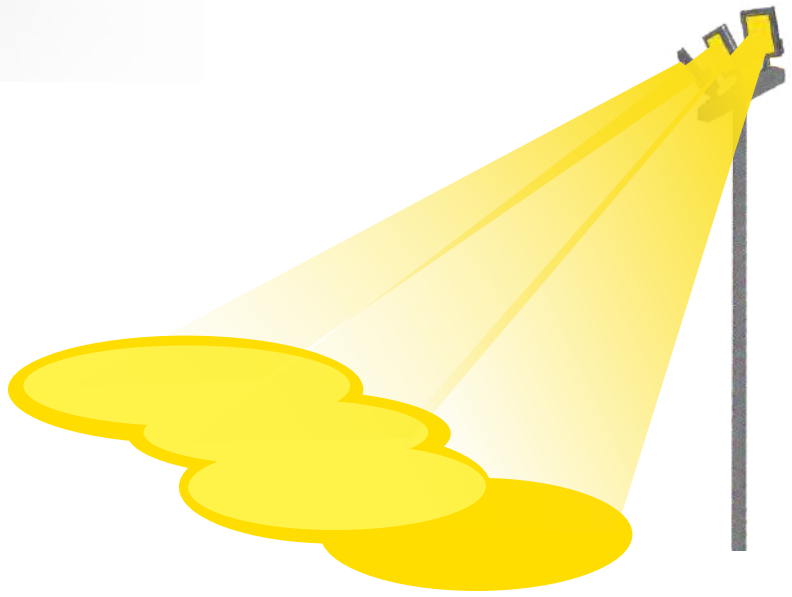


DRAGONFLY

LED Sports Floodlighting 240W 300W

High performance lighting ideal for sports fields and stadiums, Each module can be adjustable with the marking scale to adjust the angle accurately, which help achieve the perfect uniformity illumination.





HIGH POWER LED FLOODLIGHT FOR SPORTS LIGHTING APPLICATIONS

- Unique quality of light with flickerfree operation suitable for HDTV broadcasting and Super Slow Motion
- Flexible optical system optimising lighting distributions for best in class results
- Compact and low weight for minimal structural costs
- Fully controllable solution enabling instant lighting, stepped illumination levels and event lighting with dynamic lighting scenarios

FEATURE

DRAGONFLY LED Sports Floodlighting 240W 300W



▼ Light weight

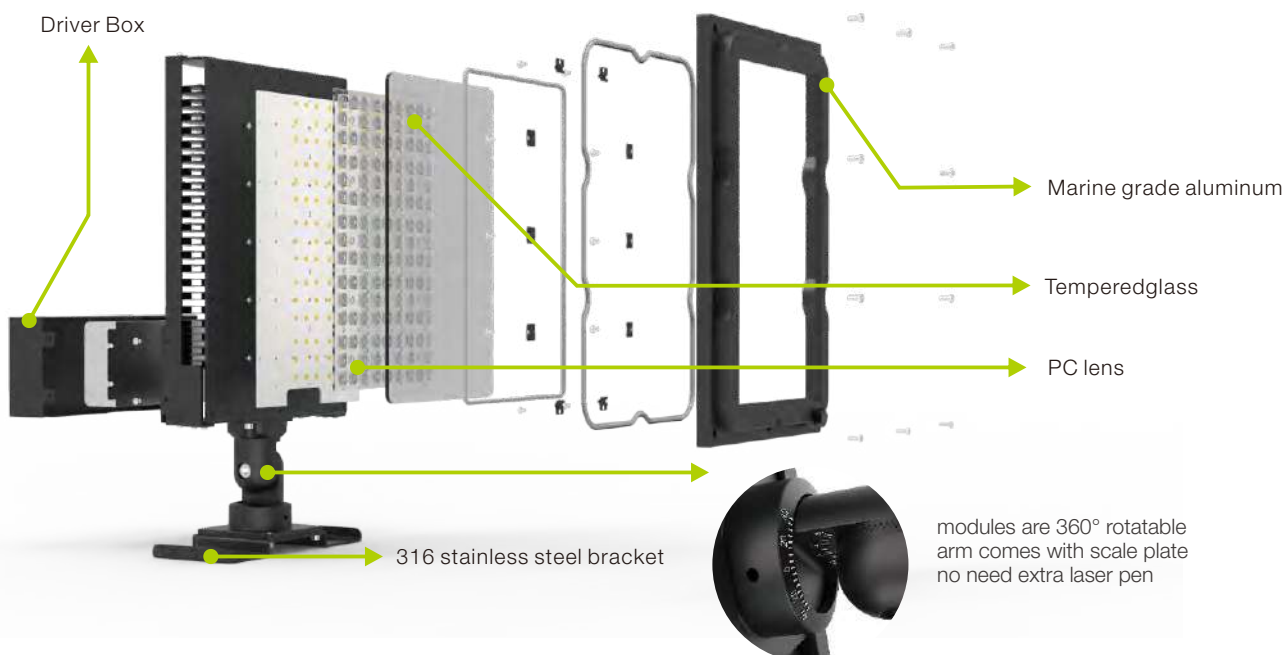
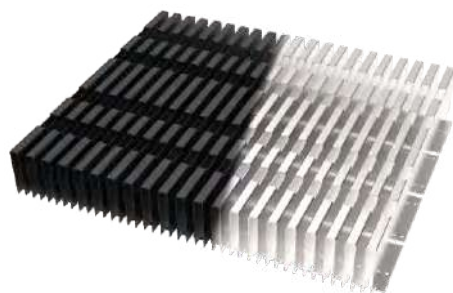
The advantage of aluminum fin heat dissipation is that the weight is reduced by about 30% to 40%. This is an advantage compared to traditional die-cast aluminum lamps for sports field lighting installations. To reduce the loading weight of the pole and to reduce the workload of the installer.

▼ Floded fin

This allows you to improve thermal performance while adding a minimal amount of weight. Floded Fin heatsinks use a continuous strip of aluminum sheet metal affixed to an aluminum base plate. The advantage of Floded Fin as opposed to extruded heatsinks is higher aspect ratios and thinner fins, thus increasing surface area and lowering thermal resistance. The stamping riveting process is not welded so that it make the auminum fins fit more closely with the aluminum board, creating more surface touching area from led chips heat to the heat sink and contributing to faster heat dissipation.

▼ Surface Treatments

The surface of the heat sink is environmentally friendly and recyclable by powder electrostatic spraying process, which is resistant to corrosion, oxidation and aging.



SPECIFICATION

DRAGONFLY LED Sports Floodlighting 240W 300W



Product DRAGONFY LED Sports Floodlight		
Model	LSDHM-A240W-LV(XXK)	LSDHM-A300W-LV(XXK)
System Efficacy	165LM/W±3%	155LM/W±3%
Luminous Flux (Photometered)	39,600Lm	46,500Lm
Light Source	Lumileds 5050	
Driver	Meanwell ELG-240-48A	Meanwell ELGC-300-H-A
Distribution Type	10° / 20° / 60° / 90°/10°(P50-P8)/135°60°(P50)/97°47°(TypeIV)	
CCT	30K - 3000K 50K - 5000K 40K - 4000K 57K - 5700K	
CRI	>70 (Optional with CRI>90)	
Surge protection device	6KV	

Product DRAGONFY LED Sports Floodlight		
Model	LSDHM-A240W-LV(XXK)	LSDHM-A300W-LV(XXK)
Weight/Packaging		
Luminaire Weight	6.3Kg	6.7Kg
Packaging Dimensions	1pc / 61*35*21cm	
Packaged Weight	7.4Kg	7.8Kg

Electrical Characteristics (Luminaire)

Power Consumption	240W Typical	300W Typical
Input Volt	100-277VAC	
Frequency Range	47-63Hz	
Power Factor	>0.95 / 230VAC	
Total Harmonic Distortion	< 20%	
Dimming Function	1 - 10V Continuous / PWM DALI Optional	

Certificates (Safety Standards)

ETL		✓
DLC(Standard)		✓
ENEC	IEC/EN60598-2-3	✓
CB		✓
TUV CE-LVD		✓
Australian deviation	IEC/EN62778	✓
TUV CE-EMC	EN55014 EN61547 EN61000-3-2 EN61000-3-3	✓
SAA		✓
TUV IK08		✓
Salt Spray Test	24H	✓
IP66	By ENEC	✓
Flammability test	By ENEC	✓
Lm79		✓
Lm80		✓

Environmental

IP Rating	IP66
Impact Rating	Ik08
Salt Spray Tested	Yes
Operating Temp. Range	-30° ~ 122°F (-30° ~ 45°C)
Operating Humidity	15 - 90%
Thermal Management Type	Natural air cooling Floded Aluminium fin
Expected Lifespan	L70B10 50,000hours
Material Composition (Body)	ADC-12 Aluminium + Marine grade aluminum
Material Composition (Optics)	PMMA (UV Resistance)
Material Composition (Cover)	Extra clear tempered glass protect
Mounting/Bracket Type	Post-top position, Side-entry position
Modules Rotatable	360°
Replacement	600-750W HPS MH

Warranty

Warranty	5 years warranty 7 years extended warranty available
----------	---

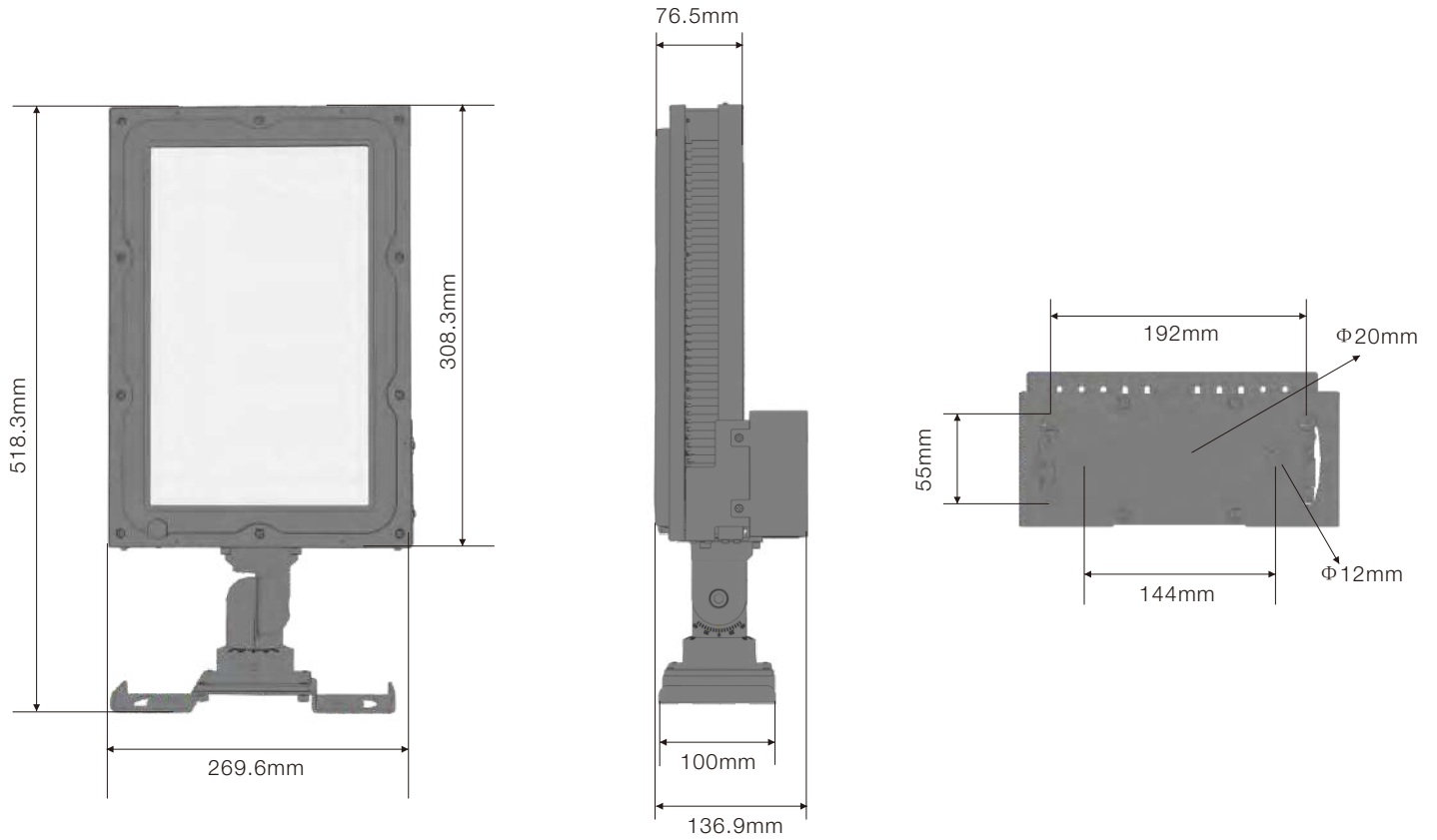


DIMENSIONS

DRAGONFLY LED Sports Floodlighting 240W 300W

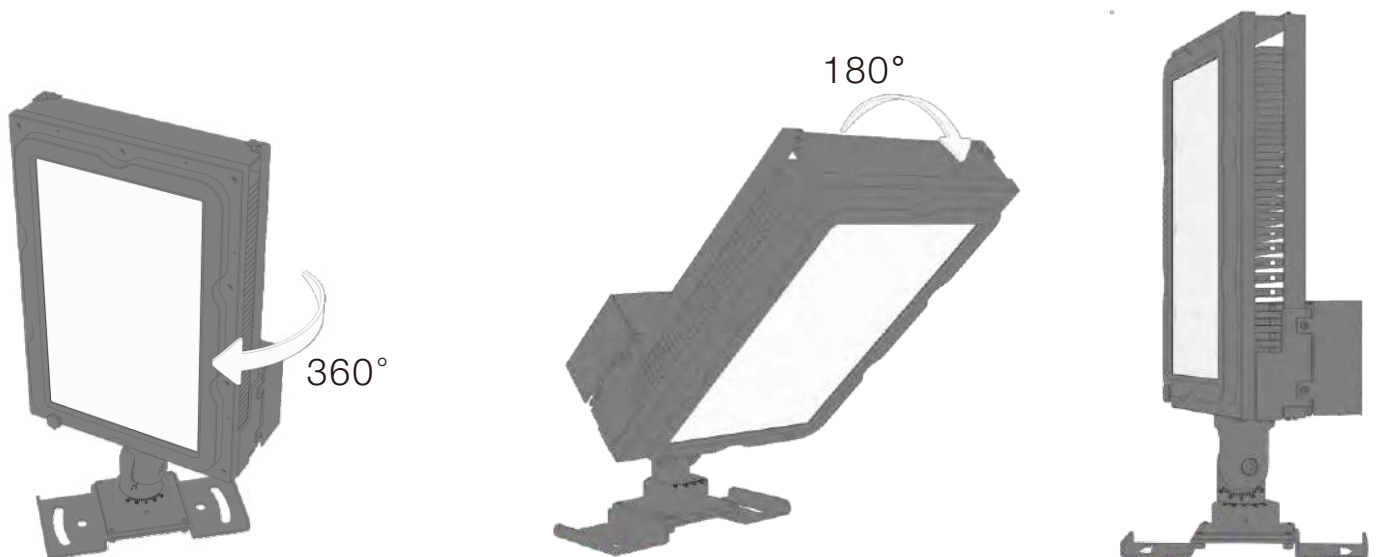
Height: 20.40 in (518.3 mm) **Length:** 5.38 in (136.9mm)

Width: 10.61 in (269.6 mm) **Luminaire Weight:** 6.3kg (240W) 6.7Kg (300W)



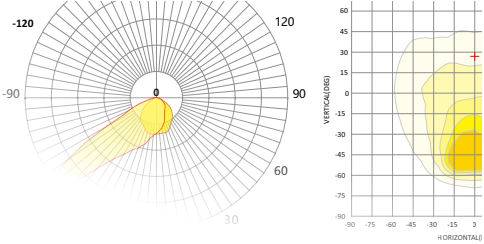
LED Modules rotatable

modules are 360° rotatable, arm comes with scale plate



BEAM ANGLE

DRAGONFLY LED Sports Floodlighting 240W 300W



D8

ACCESSORY

DRAGONFLY LED Sports Floodlighting 300W

ORDERING EXAMPLE
LSDHM-A300W-LV(XXK)

LSDHM- XXW- LV (XXK)

3000K
4000K
5000K
5700K

HV - 347-480VAC LV - 100-277VAC

Wattage

240W 300W 480W 600W 720W 900W 960W 1200W 1440W 1800W

Product Family

DHM- Dragonfly LED High Mast Lights

► Options



▲ IRON bracket

The bracket is optional to use by iron materials



▲ Anti-glare cover

Black color and white color are optional
(the reflective rate of white color will be better)



▲ Meanwell HLG driver

It's optional with Meanwell HLG driver



▲ SPD

Optional with 10KV or 20KV SPD