

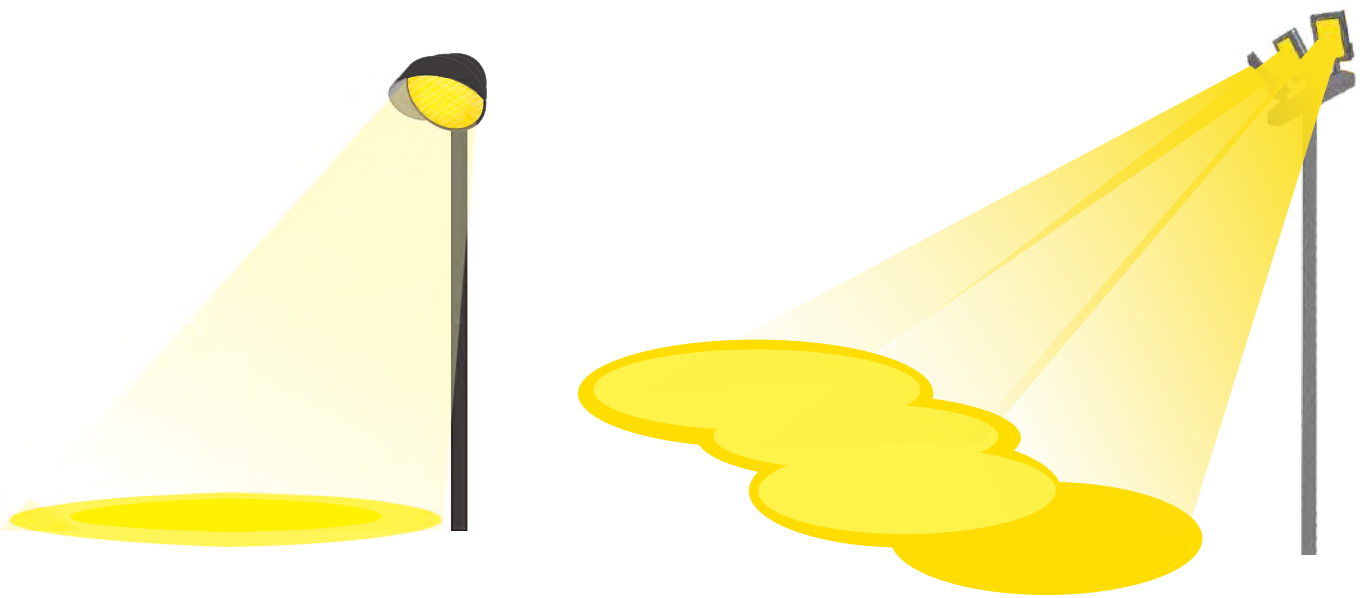


DRAGONFLY

LED Sports Floodlighting 720W 900W

High performance lighting ideal for sports fields and stadiums, Each module can be adjustable with the marking scale to adjust the angle accurately, which help achieve the perfect uniformity illumination.





HIGH POWER LED FLOODLIGHT FOR SPORTS LIGHTING APPLICATIONS

- Unique quality of light with flickerfree operation suitable for HDTV broadcasting and Super Slow Motion
- Flexible optical system optimising lighting distributions for best in class results
- Compact and low weight for minimal structural costs
- Fully controllable solution enabling instant lighting, stepped illumination levels and event lighting with dynamic lighting scenarios

FEATURE

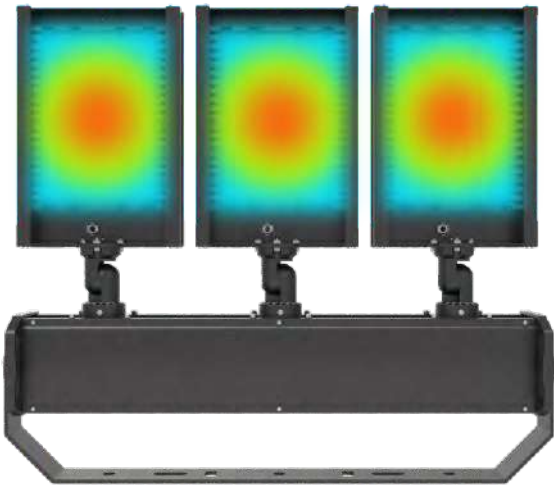
DRAGONFLY LED Sports Floodlighting 720W 900W

▼ Light weight

The advantage of aluminum fin heat dissipation is that the weight is reduced by about 30% to 40%. This is an advantage compared to traditional die-cast aluminum lamps for sports field lighting installations. To reduce the loading weight of the pole and to reduce the workload of the installer.

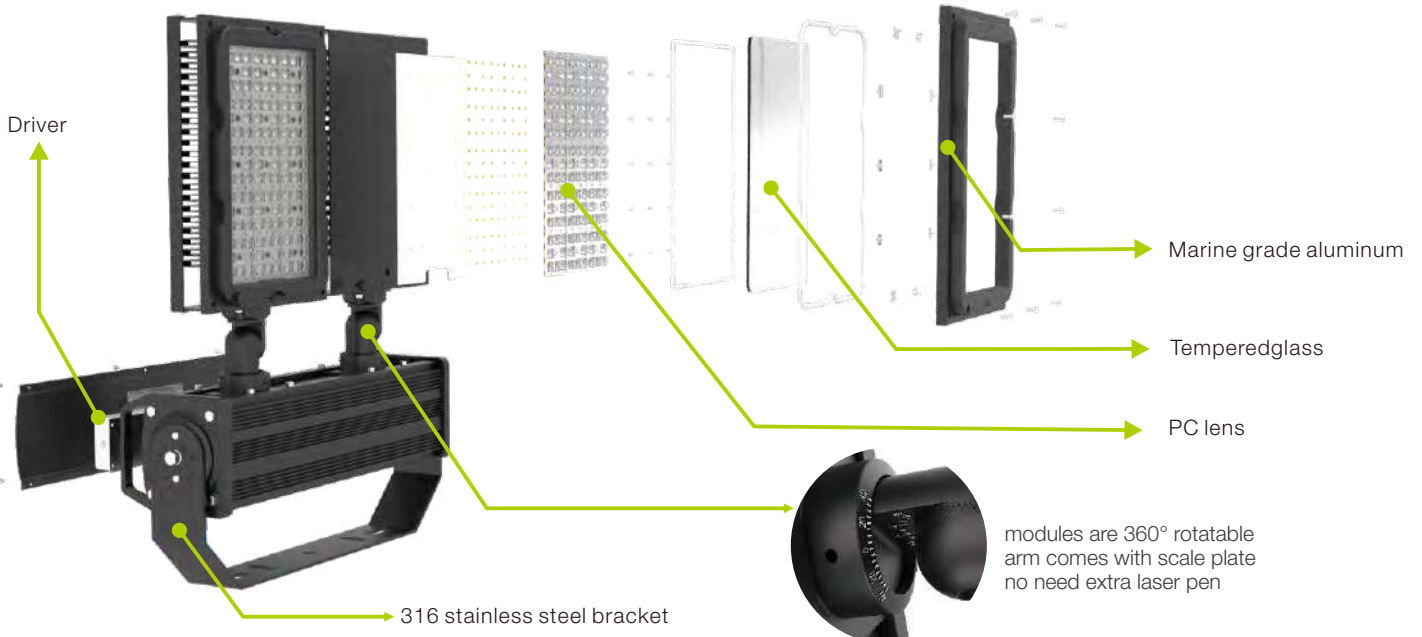
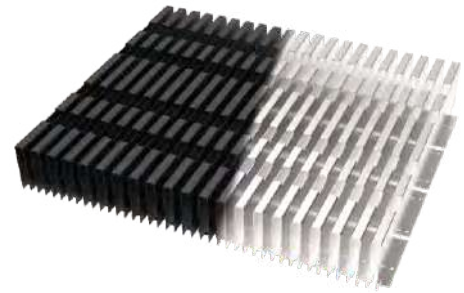
▼ Floded fin

This allows you to improve thermal performance while adding a minimal amount of weight. Floded Fin heatsinks use a continuous strip of aluminum sheet metal affixed to an aluminum base plate. The advantage of Floded Fin as opposed to extruded heatsinks is higher aspect ratios and thinner fins, thus increasing surface area and lowering thermal resistance. The stamping riveting process is not welded so that it make the auminum fins fit more closely with the aluminum board, creating more surface touching area from led chips heat to the heat sink and contributing to faster heat dissipation.



▼ Surface Treatments

The surface of the heat sink is environmentally friendly and recyclable by powder electrostatic spraying process, which is resistant to corrosion, oxidation and aging.



SPECIFICATION

DRAGONFLY LED Sports Floodlighting 720W 900W

5
Years
Warranty

50000 Hour
Long Service Life

| Product DRAGONFY LED Sports Floodlight | | |
|--|---|-------------------------|
| Model | LSDHM-720W-LV(XXK) | LSDHM-900W-LV(XXK) |
| System Efficacy | 165LM/W±3% | 155LM/W±3% |
| Luminous Flux (Photometered) | 118,800Lm | 139,500Lm |
| Light Source | Lumileds 5050 | |
| Driver | Meanwell ELG-240-48A*3 | Meanwell ELGC-300-H-A*3 |
| Distribution Type | 10° / 20° / 60° / 90°/10°(P50-P8)/135°60°(P50)/97°47°(TypeIV) | |
| CCT | 30K - 3000K 50K - 5000K 40K - 4000K 57K - 5700K | |
| CRI | >70 (Optional with CRI>90) | |
| Surge protection device | 6KV | |

| Product DRAGONFY LED Sports Floodlight | | |
|--|--------------------|--------------------|
| Model | LSDHM-720W-LV(XXK) | LSDHM-900W-LV(XXK) |
| Weight/Packaging | | |
| Luminaire Weight | 22.8Kg | 24Kg |
| Packaging Dimensions | 1pc / 85*67*25cm | |
| Packaged Weight | 25.8Kg | 27Kg |

Electrical Characteristics (Luminaire)

| | 720W Typical | 900W Typical |
|---------------------------|---|--------------|
| Power Consumption | | |
| Input Volt | 100-277VAC | |
| Frequency Range | 47-63Hz | |
| Power Factor | >0.95 / 230VAC | |
| Total Harmonic Distortion | < 20% | |
| Dimming Function | 1 - 10V Continuous / PWM DALI Optional | |

Certificates (Safety Standards)

| | | |
|----------------------|--|---|
| ETL | | ✓ |
| DLC (Standard) | | ✓ |
| ENEC | IEC/EN60598-2-3 | ✓ |
| CB | IEC/EN60598-1 | ✓ |
| TUV CE-LVD | IEC/EN62778 | ✓ |
| Australian deviation | | ✓ |
| TUV CE-EMC | EN55014 EN61547 EN61000-3-2 EN61000-3-3 | ✓ |
| SAA | | ✓ |
| TUV IK08 | | ✓ |
| Salt Spray Test | 24H | ✓ |
| IP66 | By ENEC | ✓ |
| Flammability test | By ENEC | ✓ |
| Lm79 | | ✓ |
| Lm80 | | ✓ |

Environmental

| | |
|-------------------------------|--|
| IP Rating | IP66 |
| Impact Rating | Ik08 |
| Salt Spray Tested | Yes |
| Operating Temp. Range | -30° ~ 122°F (-30° ~ 45°C) |
| Operating Humidity | 15 - 90% |
| Thermal Management Type | Natural air cooling Floded Aluminium fin |
| Expected Lifespan | L70B10 50,000hours |
| Material Composition (Body) | ADC-12 Aluminium + Marine grade aluminum |
| Material Composition (Optics) | PMMA (UV Resistance) |
| Material Composition (Cover) | Extra clear tempered glass protect |
| Mounting/Bracket Type | Post-top position, Side-entry position |
| Modules Rotatable | 360° |
| Replacement | 2000W HPS MH |

Warranty

| | |
|----------|---|
| Warranty | 5 years warranty 7 years extended warranty available |
|----------|---|

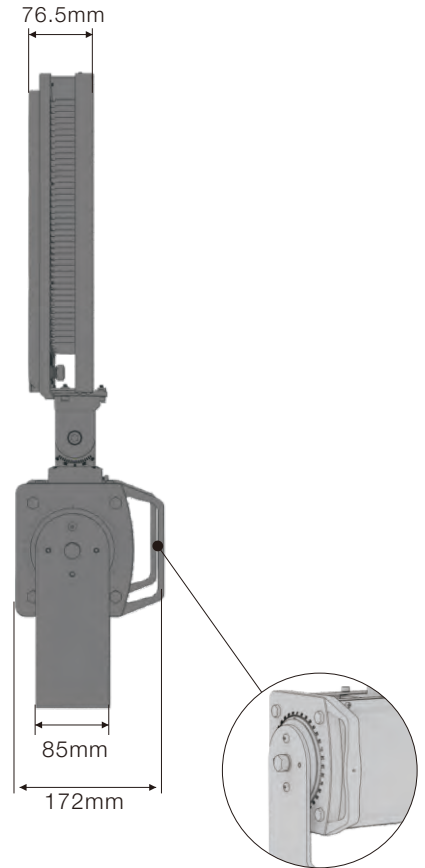
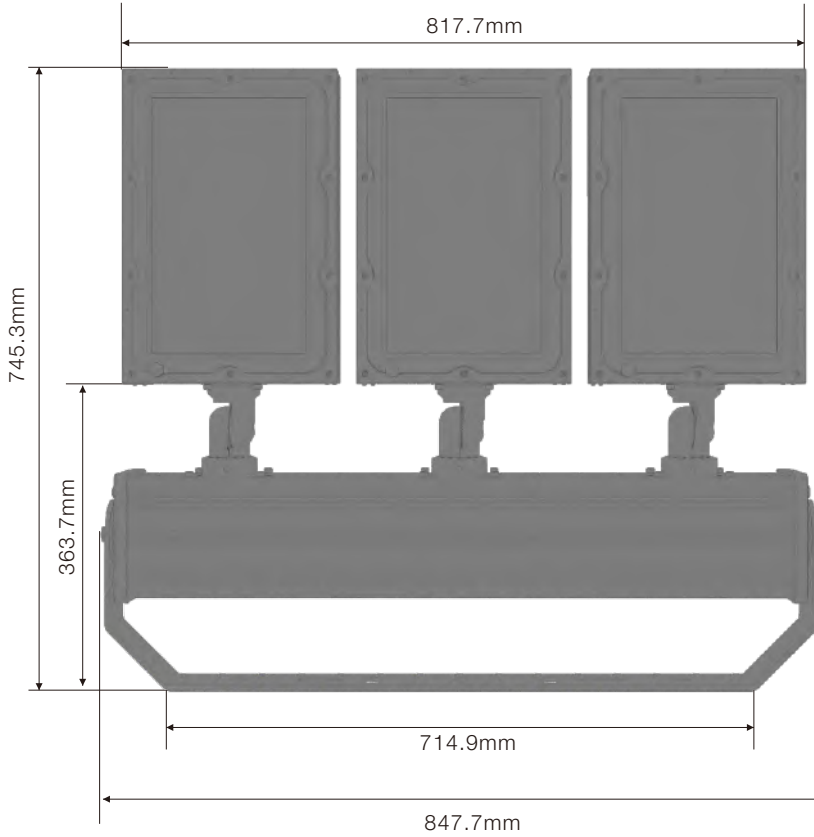


DIMENSIONS

DRAGONFLY LED Sports Floodlighting 720W 900W

Height: 29.34 in (745.3 mm) **Length:** 3.01 in (76.5mm)

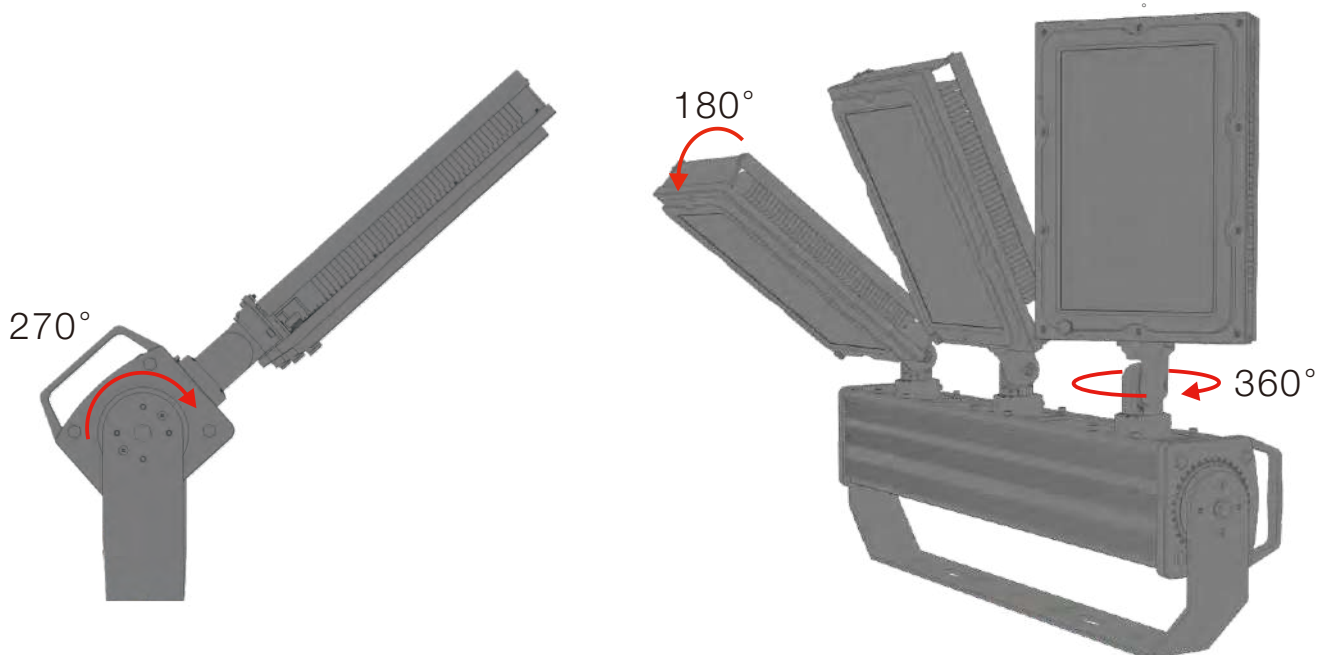
Width: 33.37 in (847.7mm) **Luminaire Weight:** 22.8kg(720W) 24Kg(900W)



Easy for carrying

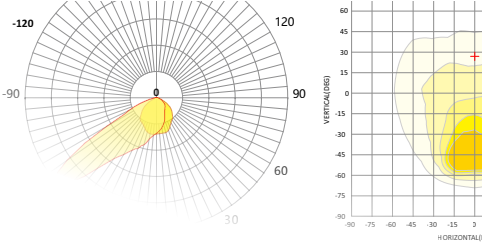
LED Modules rotatable

modules are 360° rotatable, arm comes with scale plate



BEAM ANGLE

DRAGONFLY LED Sports Floodlighting 720W 900W



D8

ACCESSORY

DRAGONFLY LED Sports Floodlighting 720W 900W

ORDERING EXAMPLE
LSDHM-900W-LV(XXK)

LSDHM- XXW- LV (XXK)

3000K
4000K
5000K
5700K

HV - 347-480VAC LV - 100-277VAC

Wattage

240W 300W 480W 600W 720W 900W 960W 1200W 1440W 1800W

Product Family

DHM- Dragonfly LED High Mast Lights

► Options



▲ IRON bracket

The bracket is optional to use by iron materials



▲ Anti-glare cover

Black color and white color are optional
(the reflective rate of white color will be better)



▲ Meanwell HLG driver

It's optional with Meanwell HLG driver



▲ SPD

Optional with 10KV or 20KV SPD