

Surface Mount LED Canopy Fixture



PRODUCTS DESCRIPTION

The CPSM Series surface mount LED canopy is a utility ceiling-mount fixture for general lighting applications in parking garages, designed for easy installation and maintenance. The CPSM Series LED canopy delivers High lumens, accepts 100-277VAC/347-480VAC, consumes 40/60/90 watts and produces luminous intensity equivalent to 175W/250W/400W metal halide. Available in motion sensor option, the CPSM LED canopy will further save energy during application.

CONSTRUCTION & MATERIALS

- One-piece die-cast aluminum housing
- One-piece silicone perimeter lens gasket and closed-cell neoprene housing gasket help to seal out moisture and contaminants
- High quality shock proof polycarbonate lens with UV inhibitors
- Integral secondary heat sink to optimize thermal transfer and maximize performance and life of LED
- Driver is mounted in direct contact with the casting for a low operating temperature and long life
- Polyester powder-coated finish, rust and corrosion proof

MOUNTING AND WIRING

- Three 3/4" mounting holes plus one on top for mounting. One installation bracket with screws are supplied in package

ENVIRONMENTAL SYSTEM

- ETL/cETL listed for outdoor locations

ELECTRICAL SYSTEM

- Integral high performance LED driver
- Universal input voltage 100-277VAC or 347VAC-480VAC, 50/60Hz

OPTICAL SYSTEM

- High quality shock proof polycarbonate lens with UV inhibitors
- Extremely wide lighting distribution
- High performance LM80 SMD LEDs
- Color temperature: 5000K. Other color temperature available for special order, consult factory for lead time

LIGHTING CONTROL

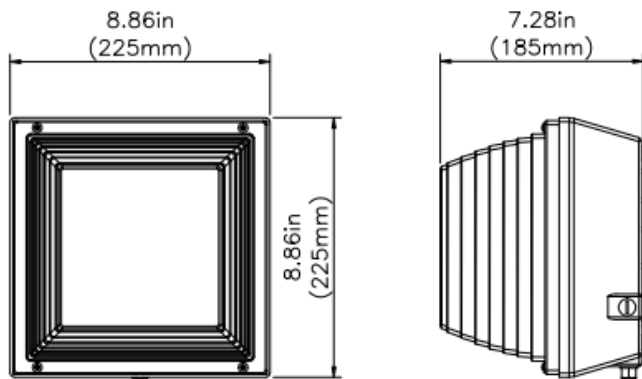
- 0-10V dimmable/photocell/motion sensor options

SPECIFICATIONS

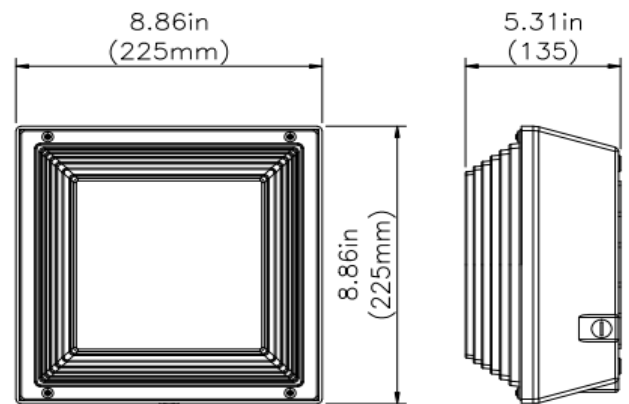
ITEM	SPECIFICATION	KLCPSM040-H KLCPSM040-L	KLCPSM060-H KLCPSM060-L	KLCPSM090-H KLCPSM090-L
GENERAL PERFORMANCE	Power consumption(W)	40W	60W	90W
	Lumens Delivered (lm)	4400-4800lm	6600-7200lm	9900-10800lm
	Efficacy (lm/W)	110-120lm/w		
	CRI	>70		
	Color Temperature	3000K/4000K/5000K		
	L70	More than 50000hours		
	Power Factor	0.98 at 120VAC 0.90 at 277VAC/347-480VAC		
ELECTRICAL	Input Voltage	100-277VAC/347-480VAC		
PHYSICAL	Housing	die-cast aluminum body(Bronze/Black). PC diffuse		
	Installation	Recessed outlet box or wall surface		
	Operating temperature	-30°C Up to 50°C (-22°F up to 122°F).		
CERTIFICATION	Environment	Suitable for damp/wet locations		
	Warranty	5 years		
	Certification	ETL/cETL,DLC		

DIMENSIONS

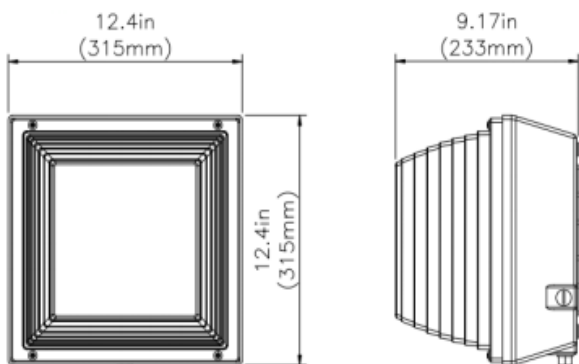
KLCPSM40 -H/ KLHVCPSM40-H



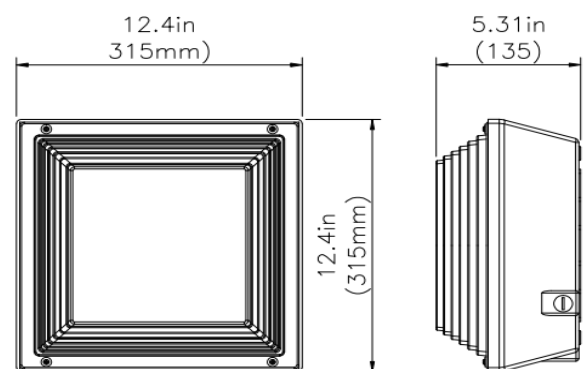
KLCPSM40 -L/ KLHVCPSM4



KLCPSM60-H/ KLCPSM90-H/ KLHVCPSM60-H/ KLHVCPSM90-H



KLCPSM60-L/ KLCPSM90-L /KLHVCPSM60-L/ KLHVCPSM90-L



ORDER INFORMATION

For example (KLCPSM40-H-30KS00)

Family	Wattage	Separator	Thickness	Separator	CCT	Version	Label	Default
KLCPSM: KILI-LED Surface Mount LED Canopy(100-277VAC)	40 : 40W 60 : 60W 90: 90W	-	H: High Cover L: Low Cover	-	30K: 3000K 40K: 4000K 50K: 5000K	S : Standard P: platinum	0 : KILI-LED Label 1: Customized Label	X
KLHVCPSM: KILI-LED Surface Mount LED Canopy (347-480VAC)								

PACKAGING:

Product No.	Pieces/carton	NW	GW	Box dimensions
KLCPSM40-H	8pcs	17.6kg(38.8lb)	19.5kg(43.0lb)	52*52*47cm
KLCPSM60-H	4pcs	16.6kg(36.6lb)	18.2kg(40.1lb)	68.5*35.5*54cm
KLCPSM90-H	4pcs	16.8kg(37.0lb)	18.5kg(40.7lb)	68.5*35.5*54cm
KLCPSM40-L	8pcs	12.4kg(27.2lb)	14.2kg(31.3lb)	49*49*30.5cm
KLCPSM60-L	4pcs	14.6kg(32.2lb)	16.8kg(37.0lb)	68.5*35.5*34cm
KLCPSM90-L	4pcs	15.0kg(33.0lb)	17.5kg(38.6lb)	68.5*35.5*34cm

Copyright: YILIN LIGHTING
 Updata:2018-07-24