

LN Lighting technical data

LED PHOTOELECTRIC CONTROL DUST TO DAWN LIGHT,LED BARN LIGHT,LED YARD LIGHT

Lighting technical data

LED DUST TO DAWN LIGHT,LED BARN LIGHT,LED YARD LIGHT

is an alternative light source

with longer life and uniformed light distribution



**RoHS
IP65**

LED PHOTOELECTRIC CONTROL DUST TO DAWN LIGHT



Usage scenario



LED PHOTOELECTRIC CONTROL DUST TO DAWN LIGHT



Line-Up

Model No.	Watts(W)	Light Output(lm)	Dimension(mm)	Light Color(K)	Beam Angle(Degree)
LN-YAXW50-U-LS-QW-BR-U-C-00	50 ± 10%	6500 -10%	374*252*148.8	5000K	120
LN-YAXW50-U-LS-WW-BR-U-C-00	50 ± 10%	6000- 10%	374*252*148.8	3000K	120

Technical Specifications

Item	Test Conditions	Min.	Typ.	Max.
Input Voltage(V, rms)	AC	120	220	130
Input Current(mA, rms)	AC(120V)	---	230	---
ON-OFF Levels	Lx	10~20Lx On (Dusk),30~60Lx Off (Dawn)		
Input Power(W, rms)	AC(All)	---	50	---
Input Frequency(Hz)	AC	---	50 / 60Hz	---
Power Factor(PF)	AC(All)	0.9		
Output Voltage(V)	DC	60	63	66
Output Current(A)	DC	0.72	0.75	0.78
Output Power(W)	DC	43.2	47.25	51.48

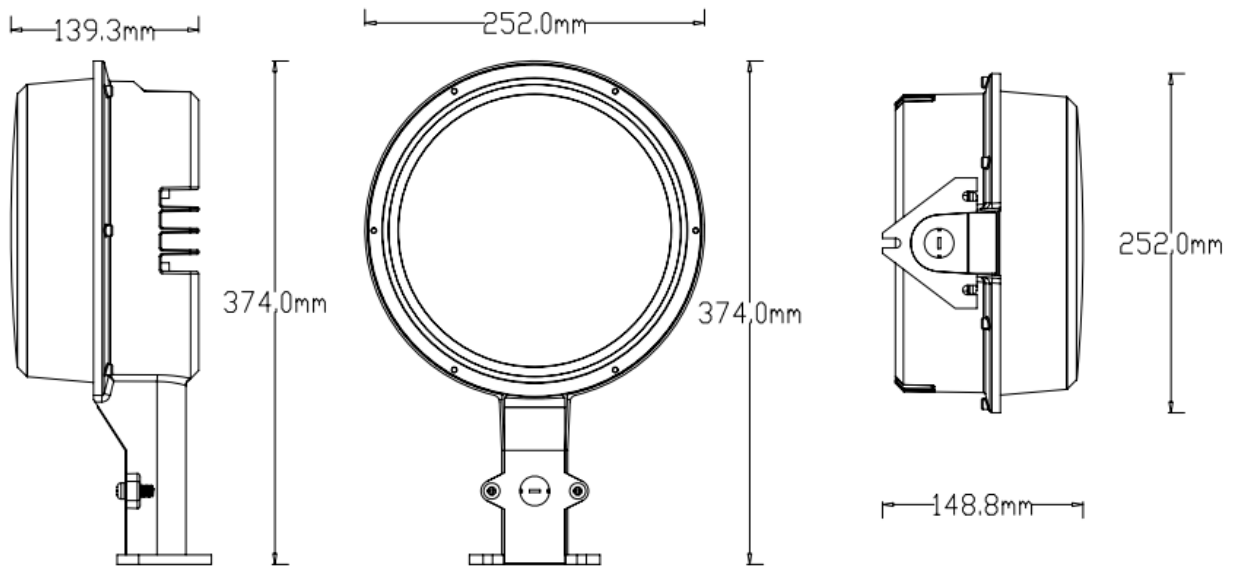
Environmental Requirements

Specifications	Values
Operational Temperature Range	-40~40℃
Preservation Temperature Range	-40~90℃
Operational Humidity Range	95%Rh or below (@-40~40℃)
Installation Area	Outdoor (Counter,Residential,Commercial,etc)

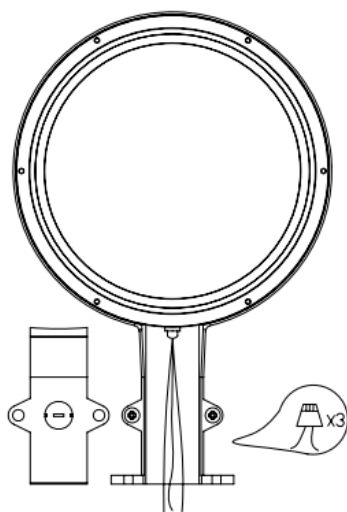
LED PHOTOELECTRIC CONTROL DUST TO DAWN LIGHT



Drawing



Installation instruction



Material	IP
ADC12	WET LOCATION
PC	

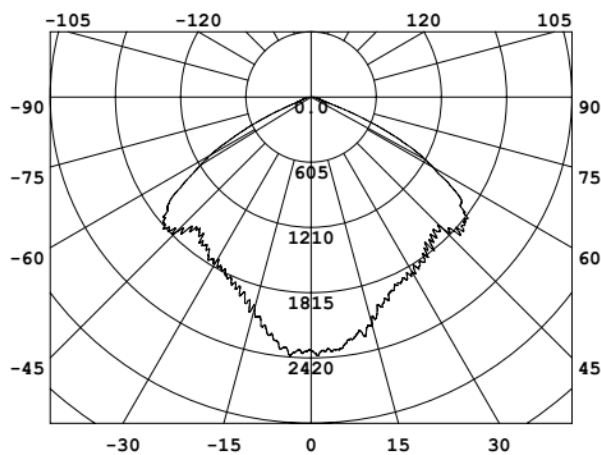
LED PHOTOELECTRIC CONTROL DUST TO DAWN LIGHT



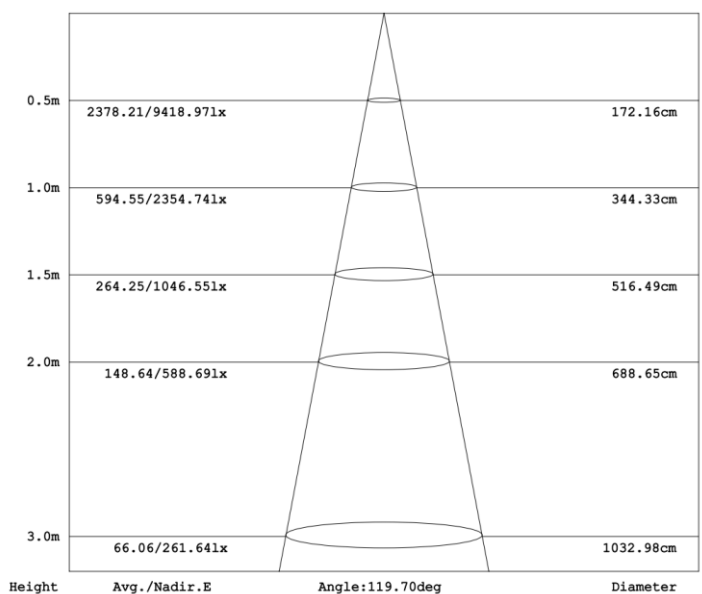
LN-YAXW50-U-LS-QW-BR-U-C-00

Category	Specifications	Unit
Watts	50	W
Lumens per Watt(Efficacy)	130	Lm/W
Light Output	6500	lm
Light Color(CCT)	5000	K
Beam Angle	120	°(degree)
Color Accuracy(CRI)	70	Ra
Product Weight	1750	G
Rating Life	45000	H
Base	Line interface	
Input Voltage	220	V

Luminance Intensity Distribution



Cone Lux Diagram



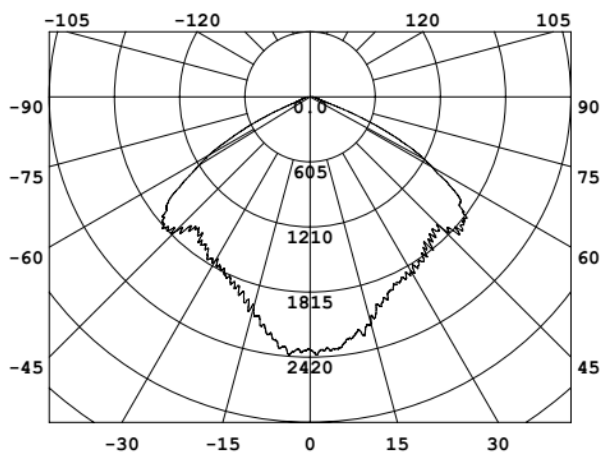
LED PHOTOELECTRIC CONTROL DUST TO DAWN LIGHT



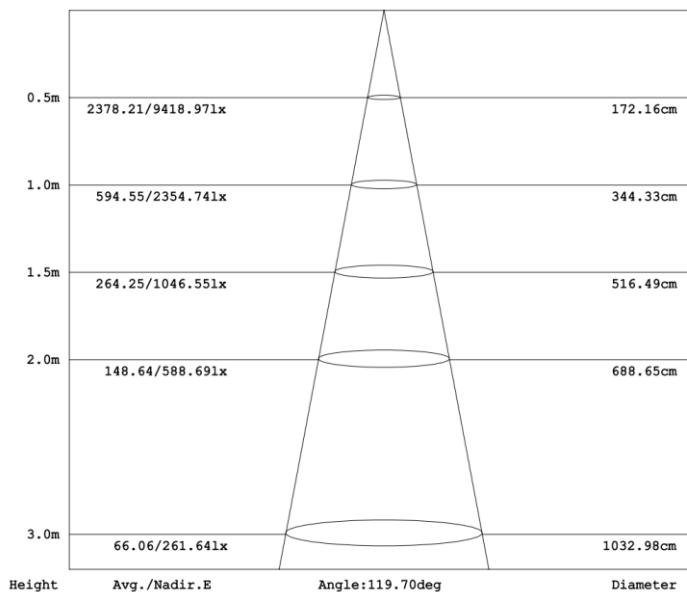
LN-YAXW50-U-LS-WW-BR-U-C-00

Category	Specifications	Unit
Watts	50	W
Lumens per Watt(Efficacy)	120	Lm/W
Light Output	6000	lm
Light Color(CCT)	3000	K
Beam Angle	120	°(degree)
Color Accuracy(CRI)	70	Ra
Product Weight	1750	G
Rating Life	45000	H
Base	Line interface	
Input Voltage	220	V

Luminance Intensity Distribution



Cone Lux Diagram



LED PHOTOELECTRIC CONTROL DUST TO DAWN LIGHT



Product Packaging	Specifications	Unit
Product Dimension	374*252*148.8	mm
Net Weigh	1.75	Kg
Size of box	390*260*165	mm
Gross Weight	2.1	Kg
Size of Carton	550*400*360	mm
Qty/ Carton	4	PCS
Weight/ Carton	9.0	Kg

Revision History

Mtime	Changed to: VER	Description of Change		
		Item	From	To
2017-07-30	0.01	Dimension(mm)	L:372*250*150	374*252*148.8
		Product Weight	2.1KG	1.75KG
		Light Output	6250LM	6500LM
		Model No	LN-YAXW50-L-LS-QW-BR-U-C-00	LN-YAXW50-U-LS-QW-BR-U-C-00
		Input Voltage	120V	120-277V
2017.11.23	0.02	Size of box	380*260*165mm	390*260*165
		Size of Carton	400*550*370mm	550*400*360