

**LN Lighting technical data**

# **LED PHOTOELECTRIC CONTROL DUST TO DAWN LIGHT,LED BARN LIGHT,LED YARD LIGHT**

**Lighting technical data**

**LED DUST TO DAWN LIGHT,LED BARN LIGHT,LED YARD LIGHT**

**is an alternative light source**

**with longer life and uniformed light distribution**



**RoHS  
IP65**

# LED PHOTOELECTRIC CONTROL DUST TO DAWN LIGHT



## Usage scenario



## LED PHOTOELECTRIC CONTROL DUST TO DAWN LIGHT



## Line-Up

Model No.	Watts(W)	Light Output(lm)	Dimension(mm)	Light Color(K)	Beam Angle(Degree)
LN-YAXW50-U-LS-QW-BR-U-C-W00	50 ± 10%	6500 -10%	374*252*148.8	5000K	120
LN-YAXW50-U-LS-WW-BR-U-C-W00	50 ± 10%	6000- 10%	374*252*148.8	3000K	120

## Technical Specifications

Item	Test Conditions	Min.	Typ.	Max.
Input Voltage(V, rms)	AC	120	220	277
Input Current(mA, rms)	AC(120V)	---	230	---
ON-OFF Levels	Lx	10~20Lx On (Dusk),30~60Lx Off (Dawn)		
Input Power(W, rms)	AC(All)	---	50	---
Input Frequency(Hz)	AC	---	50 / 60Hz	---
Power Factor(PF)	AC(All)	0.9		
Output Voltage(V)	DC	60	63	66
Output Current(A)	DC	0.72	0.75	0.78
Output Power(W)	DC	43.2	47.25	51.48

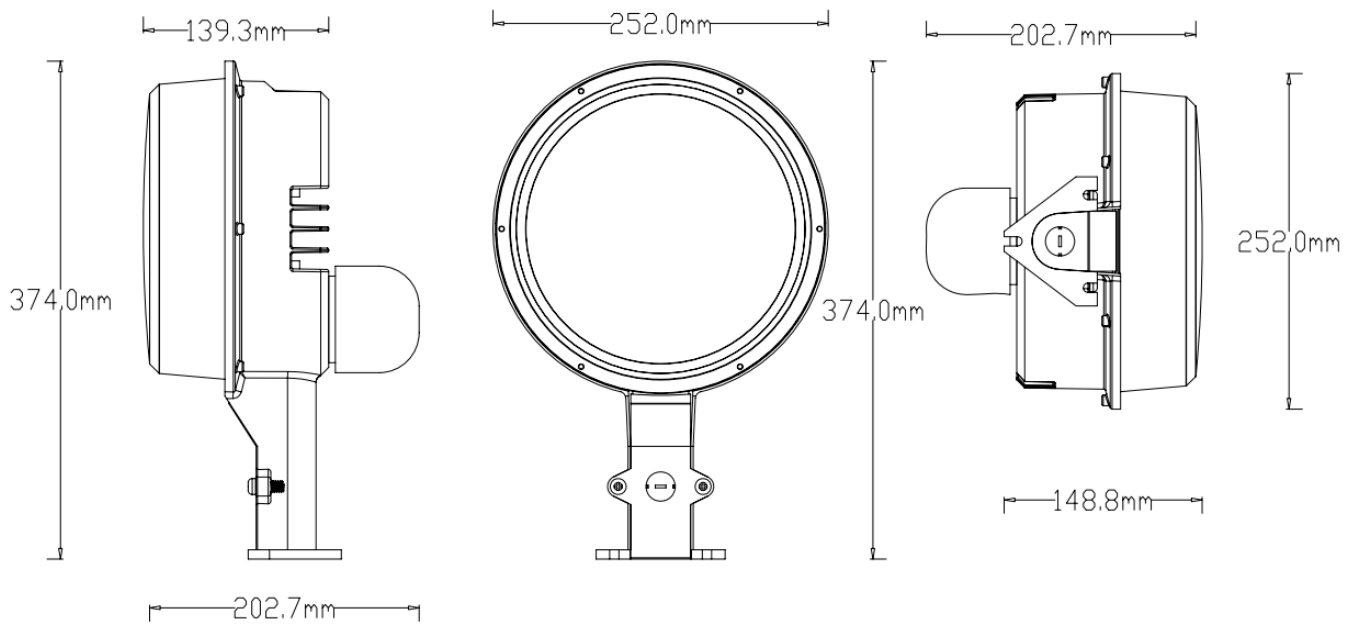
## Environmental Requirements

Specifications	Values
Operational Temperature Range	-40~40℃
Preservation Temperature Range	-40~90℃
Operational Humidity Range	95%Rh or below (@-40~40℃)
Installation Area	Outdoor (Counter,Residential,Commercial,etc)

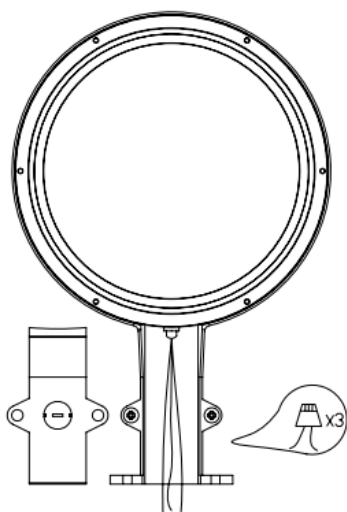
LED PHOTOELECTRIC CONTROL DUST TO DAWN LIGHT



Drawing



Installation instruction



Material	IP
ADC12	WET LOCATION
PC	

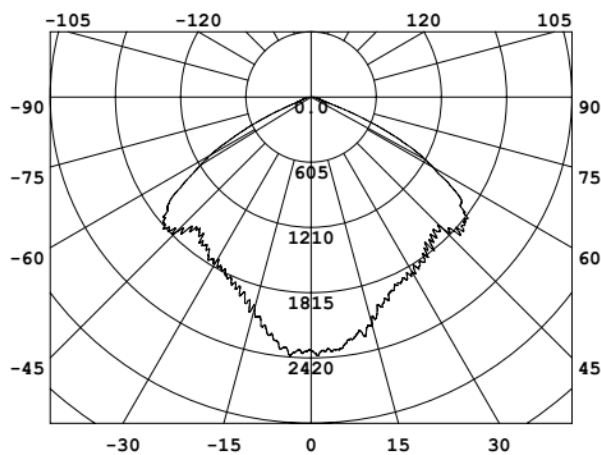
LED PHOTOELECTRIC CONTROL DUST TO DAWN LIGHT



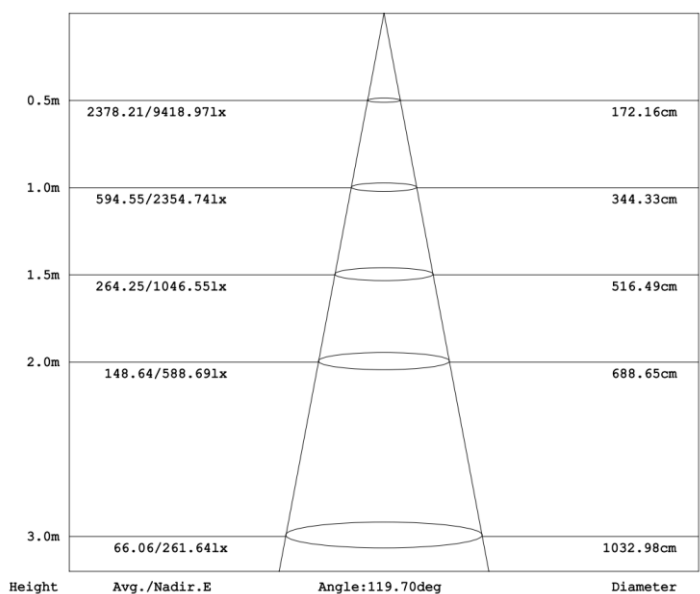
LN-YAXW50-U-LS-QW-BR-U-C-W00

Category	Specifications	Unit
Watts	50	W
Lumens per Watt(Efficacy)	130	Lm/W
Light Output	6500	lm
Light Color(CCT)	5000	K
Beam Angle	120	°(degree)
Color Accuracy(CRI)	70	Ra
Product Weight	1750	G
Rating Life	45000	H
Base	Line interface	
Input Voltage	220	V

Luminance Intensity Distribution



Cone Lux Diagram



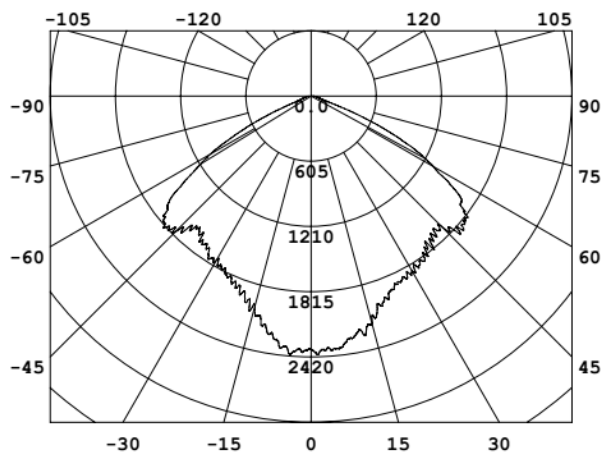
LED PHOTOELECTRIC CONTROL DUST TO DAWN LIGHT



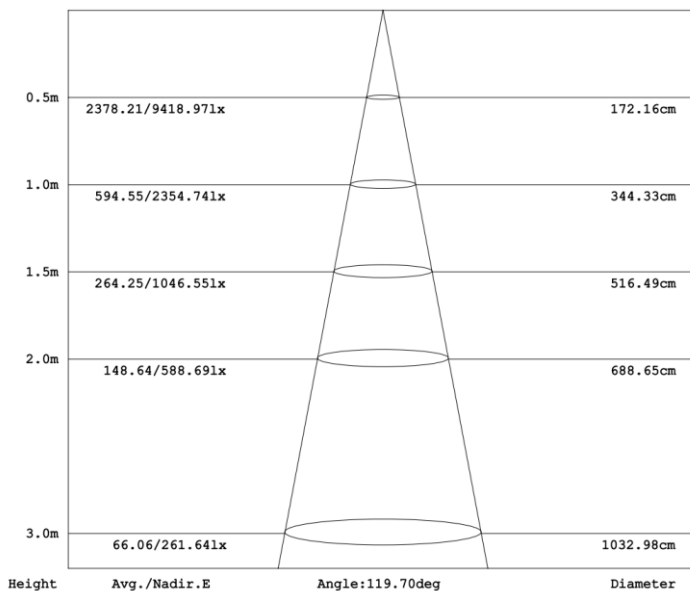
LN-YAXW50-U-LS-WW-BR-U-C-W00

Category	Specifications	Unit
Watts	50	W
Lumens per Watt(Efficacy)	120	Lm/W
Light Output	6000	lm
Light Color(CCT)	3000	K
Beam Angle	120	°(degree)
Color Accuracy(CRI)	70	Ra
Product Weight	1750	G
Rating Life	45000	H
Base	Line interface	
Input Voltage	220	V

Luminance Intensity Distribution



Cone Lux Diagram



**LED PHOTOELECTRIC CONTROL DUST TO DAWN LIGHT**



Product Packaging	Specifications	Unit
Product Dimension	374*252*148.8	mm
Net Weigh	1.75	Kg
Size of box	390*260*165	mm
Gross Weight	2.1	Kg
Size of Carton	550*400*360	mm
Qty/ Carton	4	PCS
Weight/ Carton	9.0	Kg

**Revision History**

Mtime	Changed to: VER	Description of Change		
		Item	From	To
2017-07-30	0.01	Dimension(mm)	L:372*250*150	374*252*148.8
		Product Weight	2.1KG	1.75KG
		Light Output	6250LM	6500LM
2017.11.23	0.02	Size of box	380*260*165mm	390*260*165
		Size of Carton	400*550*370mm	550*400*362