

LN Lighting technical data

LED 150W SHOE BOX LIGHT

Lighting technical data

**LED SHOE BOX LIGHT is an alternative light source
with longer life and uniformed light distribution**



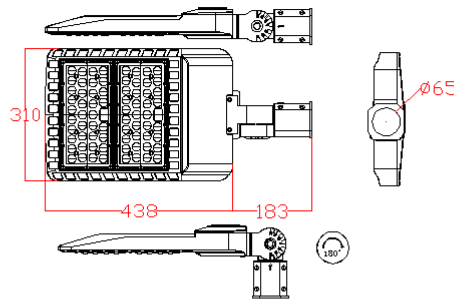
IP65

LED SHOE BOX LIGHT

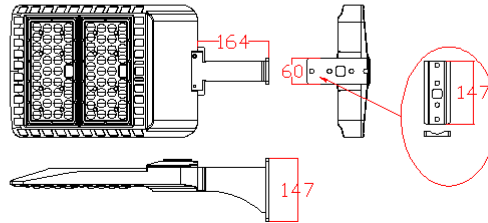
mounting bracket

| model | Dimension(mm) | Material | coding |
|-------|---------------|----------|---------------|
| SBL-A | | ADC12 | 4.12.27015900 |
| SBL-B | | ADC12 | 4.12.27016000 |
| SBL-C | | ADC12 | 4.12.27016100 |
| SBL-D | | Iron | 4.12.41016300 |

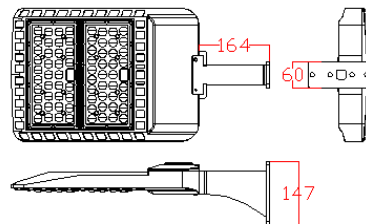
SBL : A



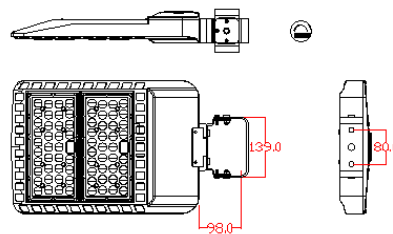
SBL : B



SBL : C



SBL : D



LED SHOE BOX LIGHT



Line-Up

| Model No. | Watts(W) | Light Output(lm) | Dimension(mm) | Light Color(K) | Beam Angle(Degree) |
|------------------------------|----------|------------------|---------------|----------------|--------------------|
| LN-SBL150-U-N-QW-BR-U-III-00 | 150±10% | 19500-10% | 438*310*72mm | 5000K | 80*150 |

Technical Specifications

| Item | Test Conditions | Min. | Typ. | Max. |
|------------------------|-----------------|--------|--------|--------|
| Input Voltage(V, rms) | AC | 120 | 220 | 277 |
| Input Current(mA, rms) | AC(120V) | --- | 682 | --- |
| Input Power(W, rms) | AC(All) | --- | 150 | --- |
| Input Frequency(Hz) | AC | --- | 50Hz | --- |
| Power Factor(PF) | AC(All) | ≥0.9 | | |
| Output Voltage(V) | DC | 61 | 63 | 64 |
| Output Current(A) | DC | 1.03*2 | 1.05*2 | 1.06*2 |
| Output Power(W) | DC | 125.7 | 132.3 | 135.7 |

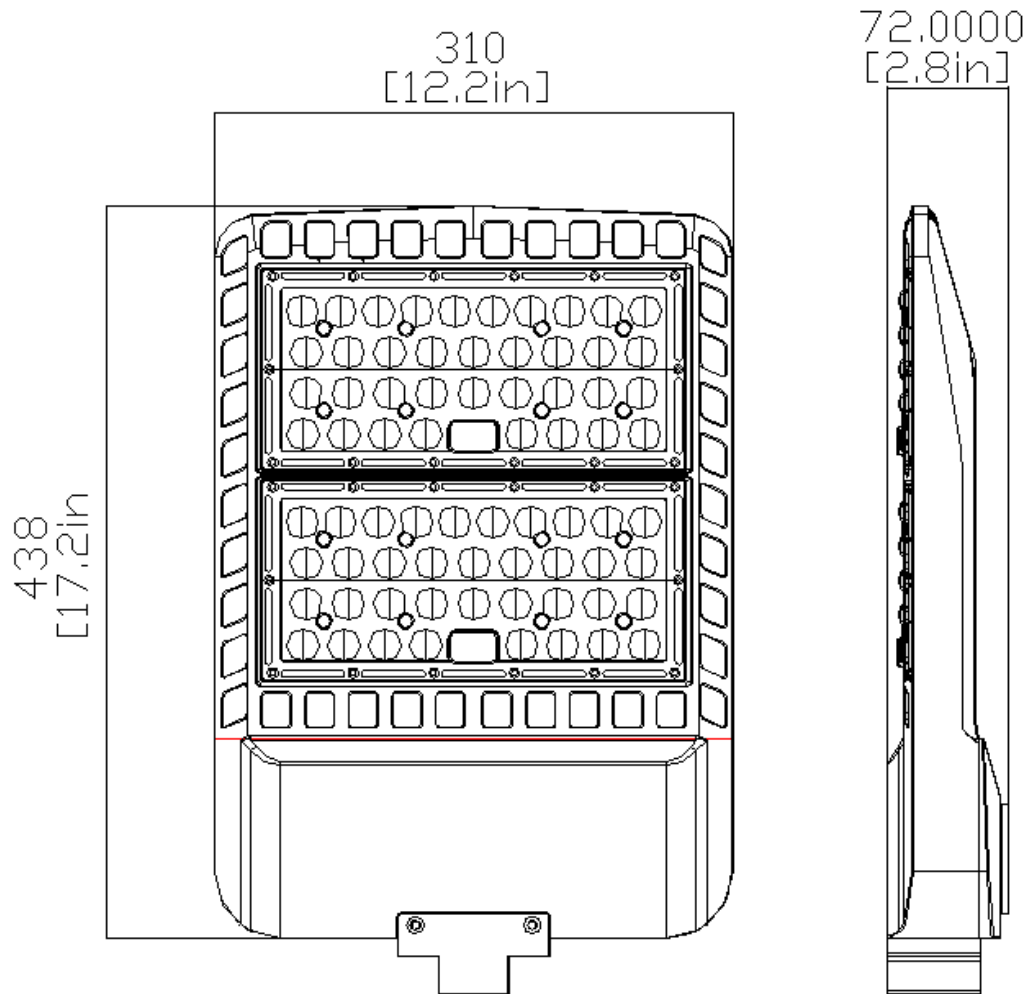
Environmental Requirements

| Specifications | Values |
|--------------------------------|--|
| Operational Temperature Range | -40~40°C |
| Preservation Temperature Range | -40~90°C |
| Operational Humidity Range | 95%Rh or below (@-40~40°C) |
| Installation Area | Outdoor (Counter,Residential,Commercial,etc) |

LED SHOE BOX LIGHT



Drawing



| | |
|----------|------|
| Material | IP |
| ADC12 | IP65 |
| PC | |

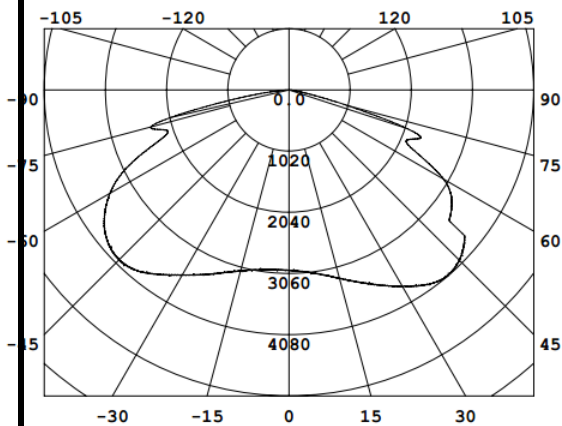
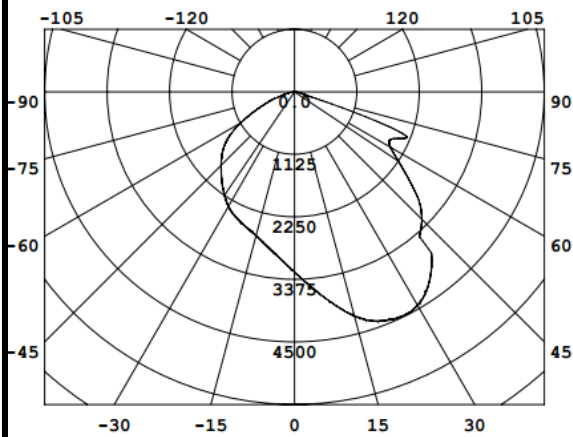
LED SHOE BOX LIGHT



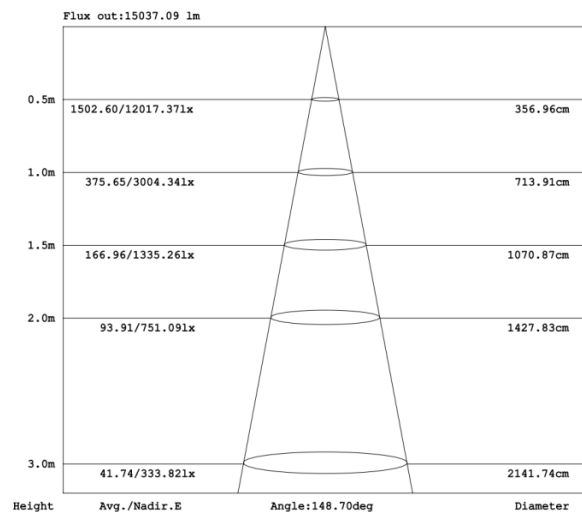
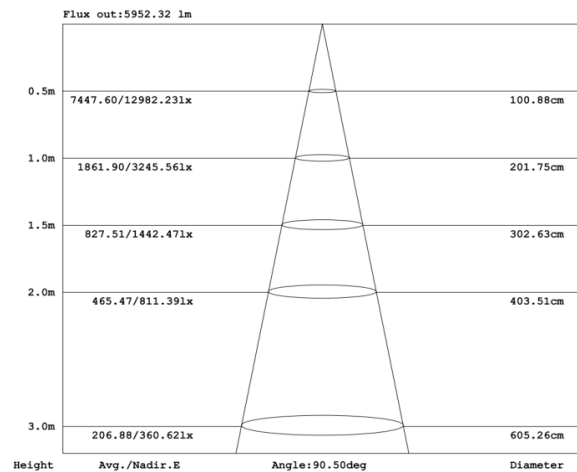
LN-SBL150-U-N-QW-BR-U-III-00

| Category | Specifications | Unit |
|---------------------------|----------------|-----------|
| Watts | 150 | W |
| Lumens per Watt(Efficacy) | 130 | Lm/W |
| Light Output | 19500 | lm |
| Light Color(CCT) | 5000 | K |
| Beam Angle | 80*150 | °(degree) |
| Color Accuracy(CRI) | 70 | Ra |
| Product Weight | 3600 | G |
| Rating Life | 50000 | H |
| Base | Line interface | |
| Input Voltage(AC) | 220 | V |

Luminance Intensity Distribution



Cone Lux Diagram



LN Lighting technical data

LED SHOE BOX LIGHT

LED SHOE BOX LIGHT



| Product Packaging | Specifications | Unit |
|-------------------|----------------|------|
| Product Dimension | 438*310*72 | mm |
| Net Weigh | 4.3 | Kg |
| Size of box | 665*350*130 | mm |
| Gross Weight | 5.5 | Kg |
| Size of Carton | 665*350*130 | mm |
| Qty/ Carton | 1 | PCS |
| Weight/ Carton | 5.5 | Kg |

Revision History

| MTime | Changed to: VER | Description of Change | | |
|-----------|-----------------|-----------------------|------|-------------|
| | | Item | From | To |
| 2018.2.8 | 0.01 | Size of box | | 665*350*130 |
| | | Gross Weight | | 4.3 |
| | | Size of Carton | | 665*350*130 |
| | | Qty/ Carton | | 1 |
| | | Weight/ Carton | | 4.3 |
| 2018.3.22 | 0.02 | Net Weigh | 3.6 | 4.8 |
| | | Gross Weight | 4.3 | 5.5 |
| | | Weight/ Carton | 4.3 | 5.5 |