

LN Lighting technical data

LED 100W SHOE BOX LIGHT

Lighting technical data

**LED SHOE BOX LIGHT is an alternative light source
with longer life and uniformed light distribution**



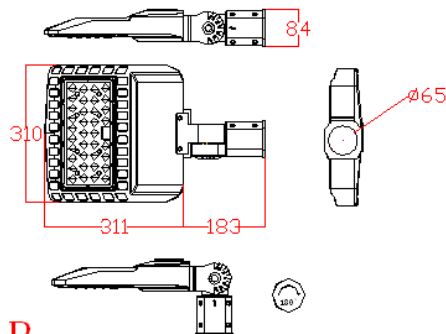
IP65

LED SHOE BOX LIGHT

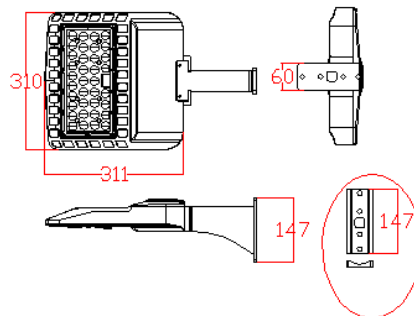
mounting bracket

model	Dimension(mm)	Material	coding
SBL-A		ADC12	4.12.27015900
SBL-B		ADC12	4.12.27016000
SBL-C		ADC12	4.12.27016100
SBL-D		IRON	4.12.41016300

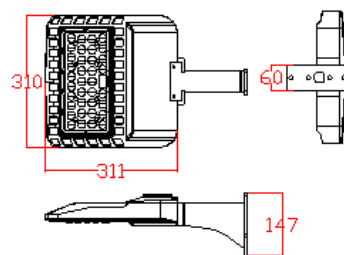
SBL: A



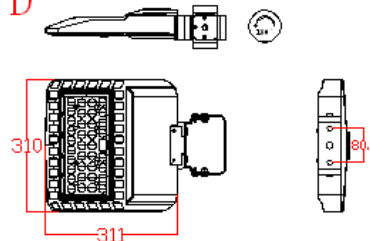
SBL: B



SBL : C



SBL : D



LED SHOE BOX LIGHT



Line-Up

Model No.	Watts(W)	Light Output(lm)	Dimension(mm)	Light Color(K)	Beam Angle(Degree)
LN-SBL100-U-N-QW-BR-U-III-00	100±10%	13000-10%	311*310*72mm	5000K	80*150

Technical Specifications

Item	Test Conditions	Min.	Typ.	Max.
Input Voltage(V, rms)	AC	110	220	277
Input Current(mA, rms)	AC(120V)	---	455	---
Input Power(W, rms)	AC(All)	---	100	---
Input Frequency(Hz)	AC	---	50Hz	---
Power Factor(PF)	AC(All)	≥0.9		
Output Voltage(V)	DC	61	63	64
Output Current(A)	DC	1.40	1.45	1.55
Output Power(W)	DC	85.5	91.35	99.2

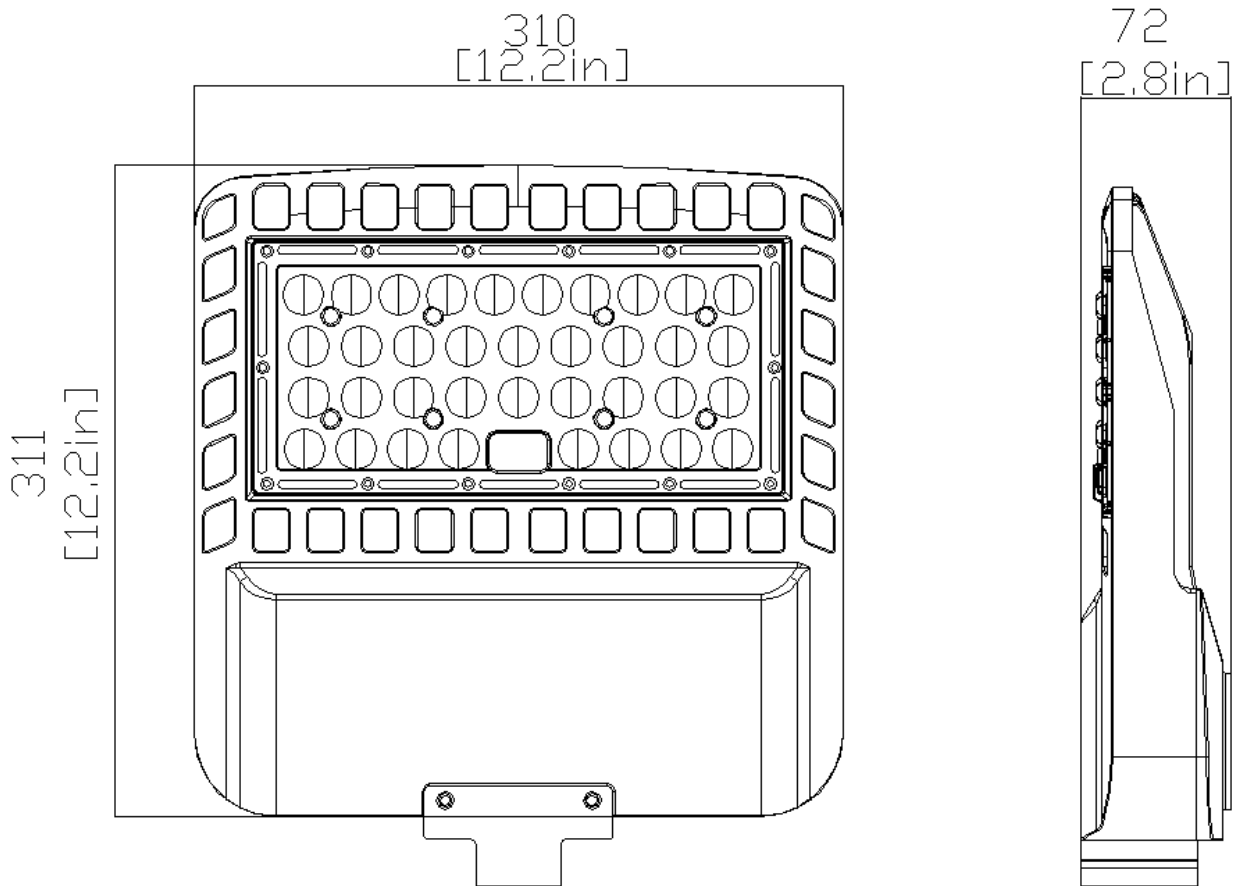
Environmental Requirements

Specifications	Values
Operational Temperature Range	-40~40°C
Preservation Temperature Range	-40~90°C
Operational Humidity Range	95%Rh or below (@-40~40°C)
Installation Area	Outdoor (Counter,Residential,Commercial,etc)

LED SHOE BOX LIGHT



Drawing



Material	IP
ADC12	IP65
PC	

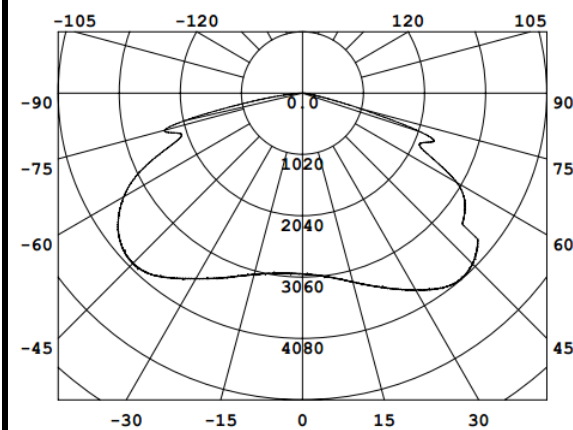
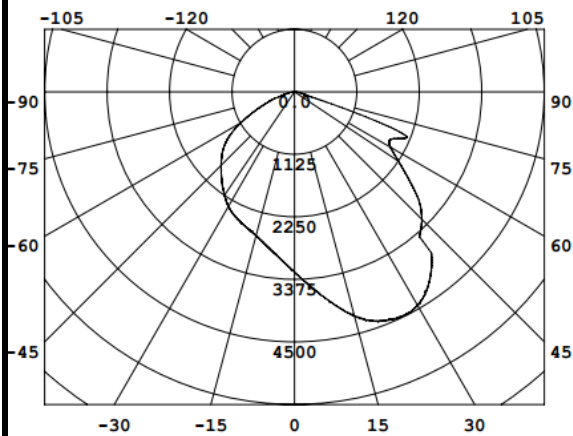
LED SHOE BOX LIGHT



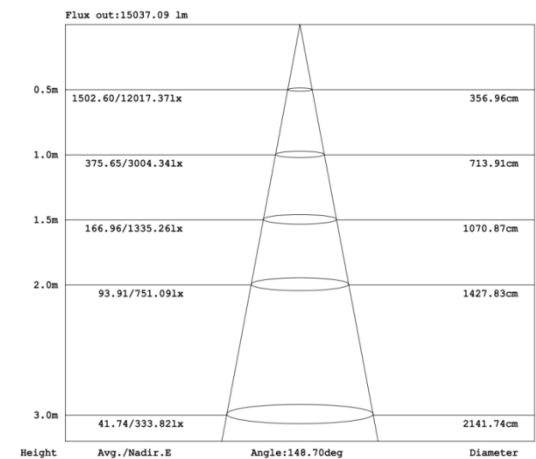
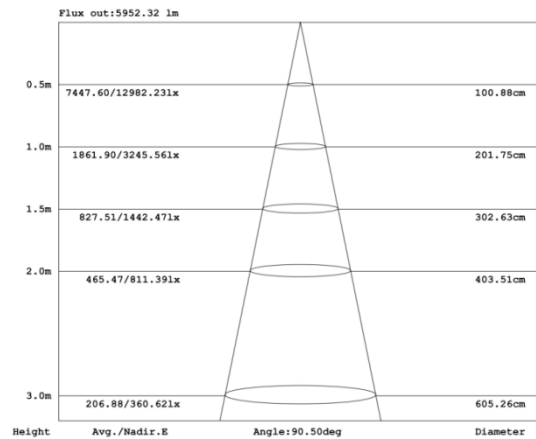
LN-SBL100-U-N-QW-BR-U-III-00

Category	Specifications	Unit
Watts	100	W
Lumens per Watt(Efficacy)	130	Lm/W
Light Output	13000	lm
Light Color(CCT)	5000	K
Beam Angle	80*150	°(degree)
Color Accuracy(CRI)	70	Ra
Product Weight	2520	G
Rating Life	50000	H
Base	Line interface	
Input Voltage(AC)	220	V

Luminance Intensity Distribution



Cone Lux Diagram



LED SHOE BOX LIGHT



Product Packaging	Specifications	Unit
Product Dimension	311*310*72	mm
Net Weigh	3.75	Kg
Size of box	540*350*130	mm
Gross Weight	4.5	Kg
Size of Carton	540*350*130	mm
Qty/ Carton	1	PCS
Weight/ Carton	4.5	Kg

Revision History

MTime	Changed to: VER	Description of Change		
		Item	From	To
2018.2.8	0.01	Size of box		330*325*110
		Gross Weight		3.3
		Size of Carton		330*325*110
		Qty/ Carton		1
		Weight/ Carton		3.3
2018.3.1	0.02	Size of box	330*325*110	540*350*130
		Size of Carton	330*325*110	540*350*130
2018.3.22	0.03	Net Weigh	2.52	3.75
		Gross Weight	3.3	4.5
		Weight/ Carton	3.3	4.5